

HOB GRILL: INDOOR-SAFE UNITS

CHAD-O-CHEF

That Great Steakhouse Taste



AVAILABLE IN TWO SIZES: 3 BURNER OR 4 BURNER

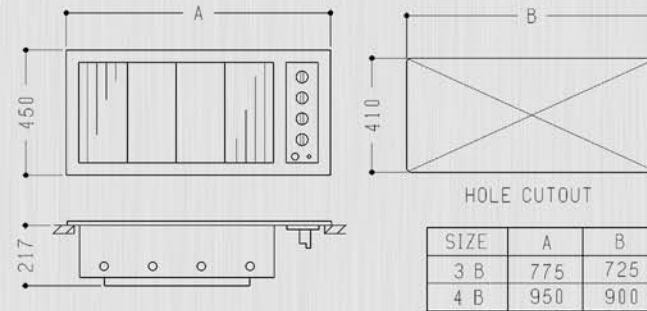
WE OFFER A 3-YEAR GUARANTEE FROM DATE OF PURCHASE AND IT APPLIES TO ALL THE WORKING PARTS OF THE UNIT.

THE WHOLE UNIT IS MADE FROM STAINLESS STEEL, MAKING IT VERY EASY TO CLEAN.

A FULL SERVICE AND SPARES BACKUP IS AVAILABLE.

3-Year Guarantee on all Working Parts
Stainless Steel Gas Braai
2 Sizes Available

DRAWING & DIMENSIONS



OPTIONAL ACCESSORIES FOR THIS UNIT:

**ROTISSERIE DOME:
SIZES 3 AND 4
BURNER**



**STIR FRY PANS:
SIZES 2-4 BURNER**

INSTALLATION REQUIREMENTS

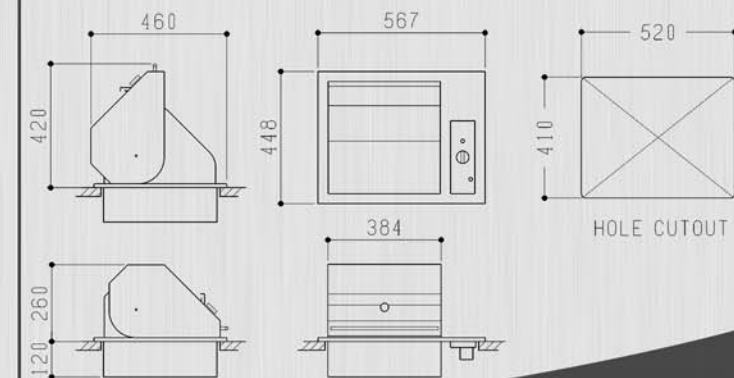
BUILDING: THERE MUST BE SUFFICIENT VENTILATION AROUND THE HOB GRILL (100mm FROM EITHER SIDE) IT MUST BE BUILT INTO A FIRE-RESISTANT SURROUND.

GAS INSTALLATION: THIS APPLIANCE MAY ONLY BE INSTALLED BY A REGISTERED GAS INSTALLER.

PIZZA OVEN



DRAWING & DIMENSIONS



THIS UNIT IS SUNKEN INTO THE COUNTER FOR A SLIM, STYLISH LOOK. A HINGED STAINLESS STEEL COVER CLEANLY HIDES YOUR GRILL AWAY WHEN YOU'RE DONE ENJOYING THAT GREAT STEAKHOUSE TASTE.