

## 550 | 700 | 850 Standard Gas Convector Built-in Units



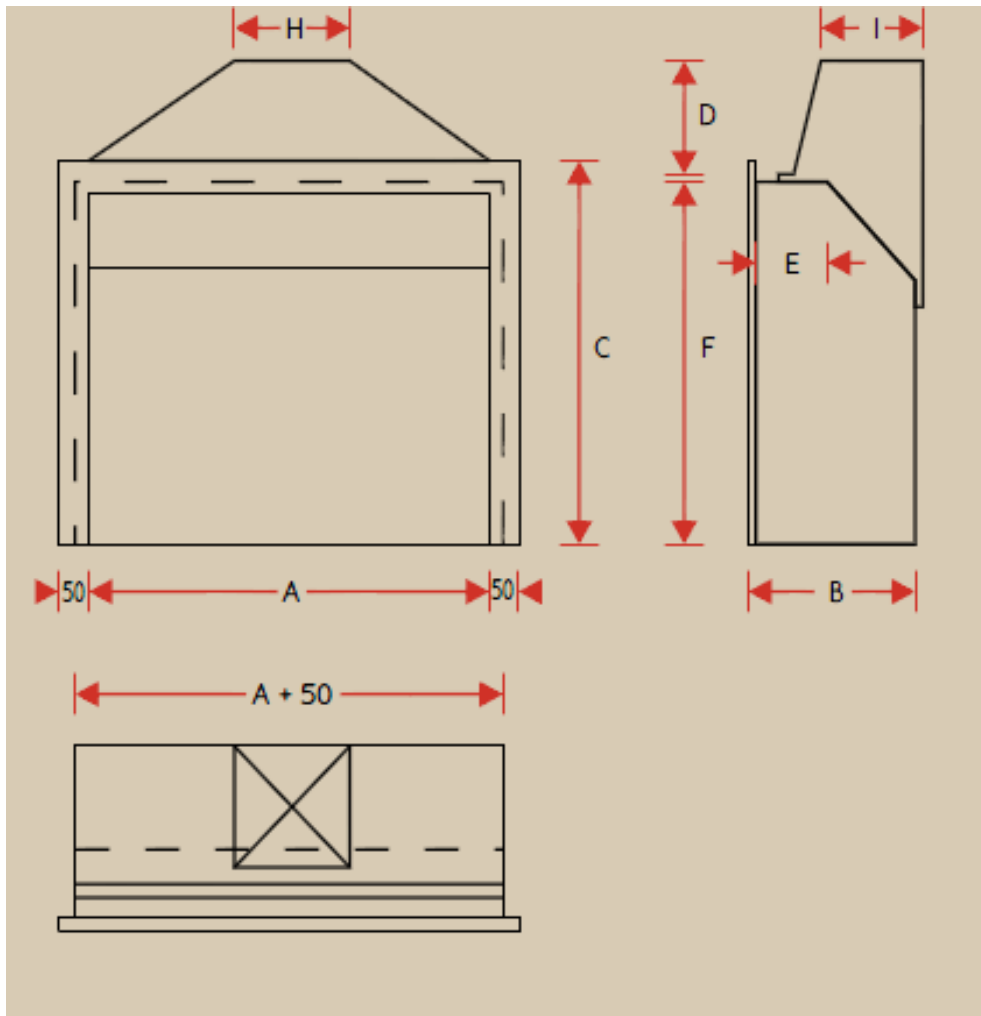
An open fire has an irresistible appeal, and for busy people who demand high standards the Jetmaster Gas Convector has an enviable and established reputation. The design is silent in operation and provides a strong, realistic flame and ember pattern for either Liquefied Petroleum Gas (LPG) or Natural gas. The Jetmaster Convector takes heat that would normally go up the chimney and spreads it evenly around the room to give even heating and maximum comfort.

It is easy to install, safe, convenient and simple to operate with these outstanding features:

- The unit can be installed in new homes or existing brick fireplaces.
- Automatic flame failure device cuts off the gas if the flame goes out.
- No ashes or mess to clean up after use.
- Natural gas available in all models.

Supplied with:

- A convector box, gas burner with copper tubing, vermiculite, ceramic coals and regulator. Copper tubing and regulator are not supplied with natural gas units.



Model & Size	Measurements (mm)					Flue Size			Heating capacity (kW)	Heating capacity (m <sup>2</sup> )	Gas Consumption per hour (kg)*	
						Rectangular Flues		Round Flues			Low	High
A	B	C	E	F	I	H	D	∅				
550	310	650	105	630	200	200	200	225	8.8	44-64	0.48	0.80
700	310	650	105	630	200	200	200	225	11.8	58-76	0.64	1.07
850	310	650	105	630	200	300	200	275	13.8	68-96	0.75	1.25

Model	Clip-on front options for Standard MK2 and Deluxe Ranges	
	Fabricated	Spanish
550	yes	yes
700	yes	yes
850	yes	yes

\*Gas usage / consumption is approximate

