

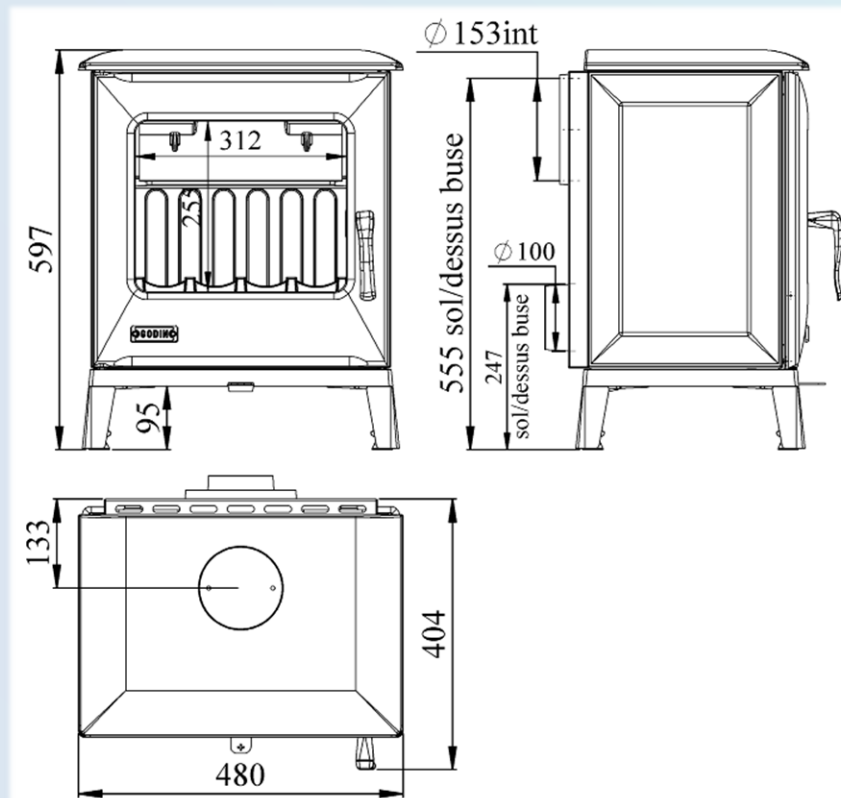


Since 1840

100%



# Mini Cube



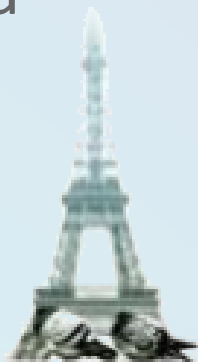
## Technical Data

**5kW**

Maximum thermal power

**180m<sup>3</sup>**

Area capacity



LxHxP

Dimensions: **480x597x404mm**



Net weight: **92kg**



Smoke outlet diameter: **125mm**



Hearth: **Cast Iron**



Capacity: **180m<sup>3</sup>**

Regulation: **Manual**

% Efficiency: **75%**



Hourly consumption: **1.5-2kg/h**

