

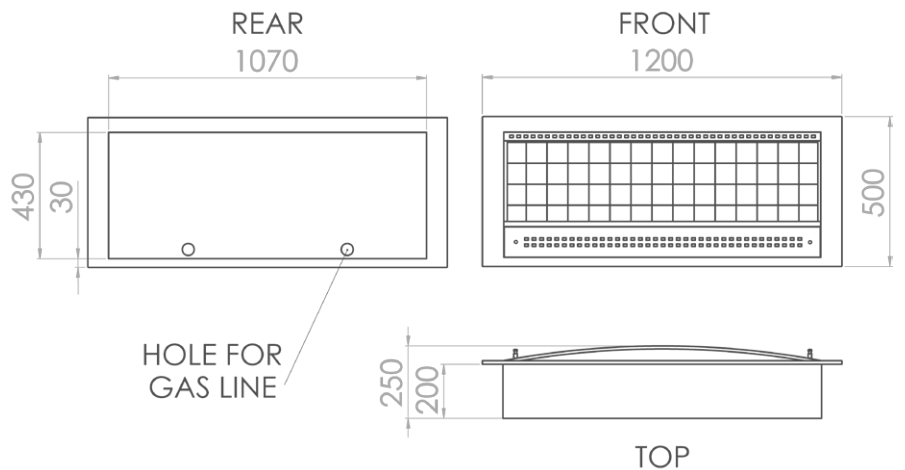


Contemporary Fireplace

- VFP 1000 -

The Contemporary Fireplace features a wide viewing angle and is capable of heating an area of 144m² in a large open plan home.

The Contemporary Fireplace combines elements of stainless steel, heat resistant coatings, tempered fireglass and tasteful design application, effortlessly creating a warm ambience in the main living area of any extremely large home.



SAFETY, STYLE & QUALITY THAT LASTS

Since 1983
CHAD-O-CHEF
Lifestyle products



Contemporary Fireplace

- VFP 1000 -



SPECIFICATIONS

<i>Model</i>	<i>VFDS1000</i>
<i>Gas type</i>	<i>LPG or Nat.</i>
<i>Operating pressure</i>	<i>2,8 kPa</i>
<i>Min Regulator size</i>	<i>2 kg/hr</i>
<i>Max. gas consumption</i>	<i>0.84 kg/hr</i>
<i>Max. mJ input</i>	<i>42 mJ/hr</i>
<i>Max. kW input</i>	<i>12 kW/hr</i>
<i>Gas inlet connection</i>	<i>Ø8mm comp.</i>
<i>Ignition</i>	<i>Piezo Spark</i>
<i>ODS (Pilot jet)</i>	<i>min 18.5% O2</i>
<i>Coals</i>	<i>14</i>
<i>Pebbles</i>	<i>14</i>
<i>Min. Room size</i>	<i>113m³</i>
<i>Max. Room size</i>	<i>466m³</i>

INSTALLATION INSTRUCTIONS

The Contemporary Fireplace is best installed into a 200-250mm deep aperture in a wall, in a Single sided orientation. The aperture in the wall needs the support of a single load bearing lintel above the Contemporary fireplace, before it can be installed.

There are two holes in the Stainless Steel body of the Contemporary Fireplace for a gas line to be easily installed from behind.

FIREPLACE FINISHES

Stainless Frame
Tiled Back



Stainless Frame
Plain Back



Black Frame
Tiled Back



Black Frame
Plain Back

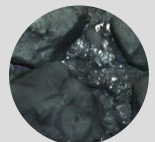


BURNER FINISHES

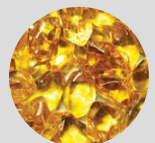
White Ceramic
Pebbles



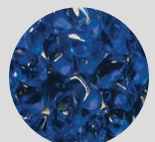
Black Ceramic
Coals



Aztec Gold
Glass



Azure Blue
Glass



Crystal Clear
Glass



Diamond Black
Glass

