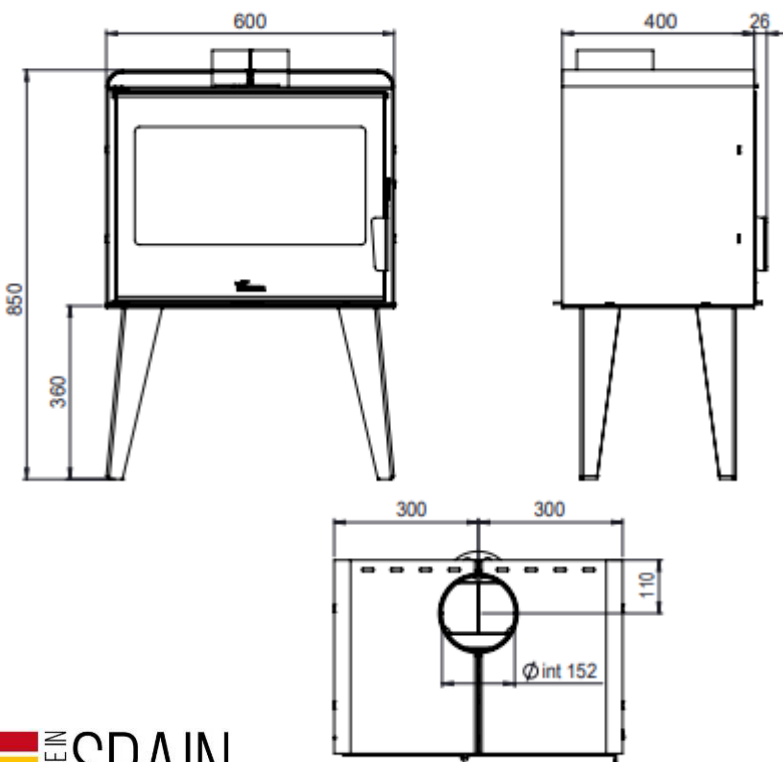


Atlantic 604



ATLANTIC 604

ATLANTIC RANGE

NOMINAL OUTPUT EFFICIENCY
 ⬆ 10 kW ⬆ 77 %

DESCRIPTION

TECHNICAL CHARACTERISTICS

OPTIONS

CO EMISSION	0.11 %
CAPABLE OF HEATING	222 m ²
SIZE (width x height x depth)	600 x 850 x 400 mm
FLUE SOCKET	⊗ 150 mm
LOG SIZE	50 cm
WEIGHT	90 Kg

CERTIFICADOS ENERGÉTICOS

