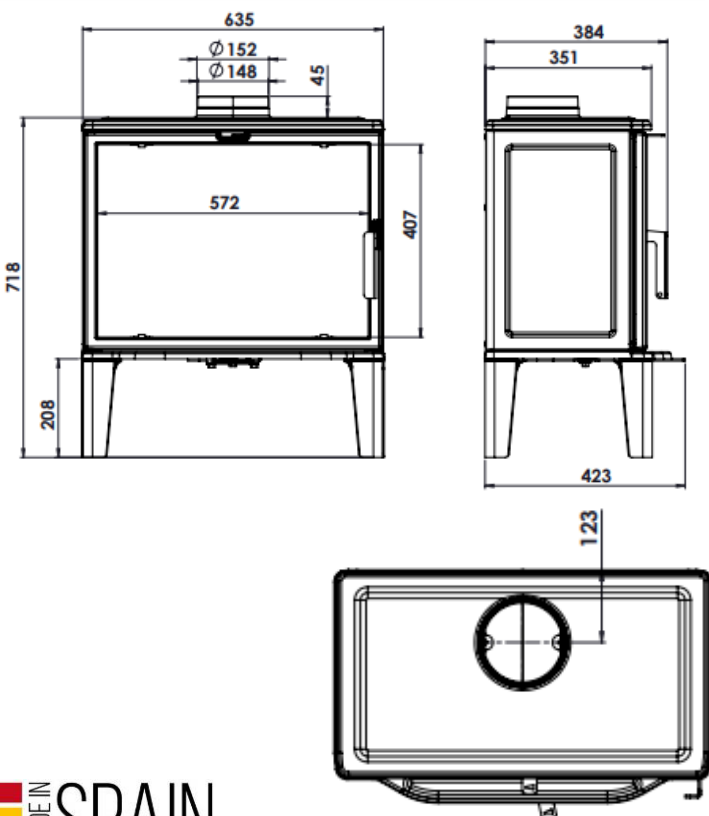


Biarritz



BIARRITZ

NOMINAL OUTPUT	EFFICIENCY
8 kW	76 %

DESCRIPTION	OPTIONS
TECHNICAL CHARACTERISTICS	
CAPABLE OF HEATING	0.10 %
SIZE (width x height x depth)	177 m ³
FLUE SOCKET	640 x 720 x 400 mm
LOG SIZE	150 mm
WEIGHT	50 cm
	120 Kg

CERTIFICADOS ENERGÉTICOS