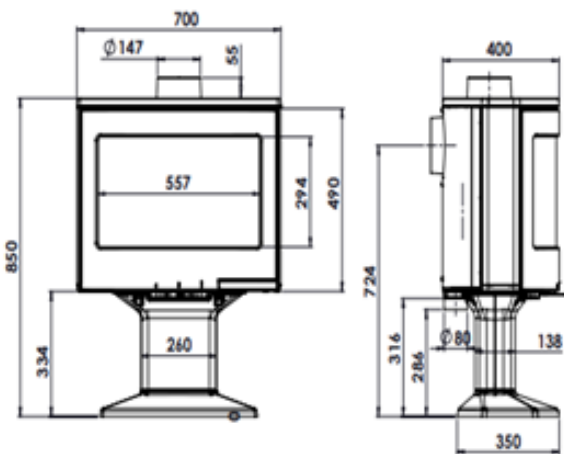
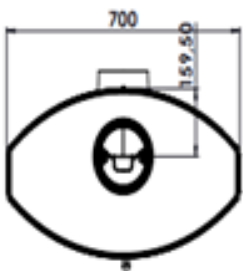


Tarbes



TARBES



TARBES

NOMINAL OUTPUT  9 kW EFFICIENCY  79%

DESCRIPTION

TECHNICAL CHARACTERISTICS

OPTIONS

	0.07 %
CAPABLE OF HEATING	177 m ³
SIZE (width x height x depth)	700 x 850 x 400 mm
FLUE SOCKET	Ø 150 mm
LOG SIZE	50 cm
WEIGHT	145 Kg

CERTIFICADOS ENERGÉTICOS

