

Midi 700 Insert



Characteristics

Heat Output: 10 to 12 KW/H

Cast iron body

Cast iron interior

Full glass door

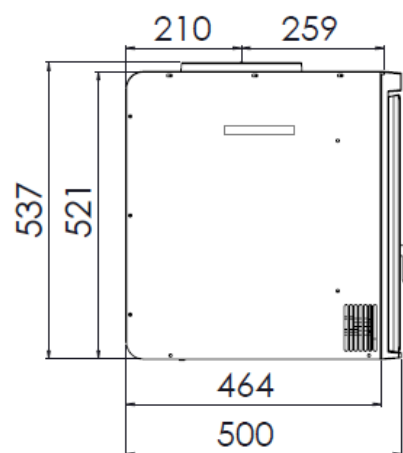
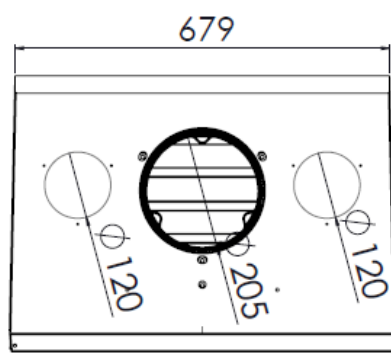
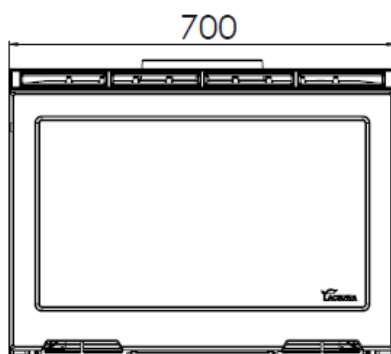
Stainless steel removeable ash pan

Includes two speed dual axial fans

200mm or reduced to 180mm flue connection

Includes 4 sided colour coded frame

Double combustion control



OPENING SIZE
REQUIRED
720mm W x 500mm D x
560mm H