

hergom

E-20 NS WOOD STOVE



FEATURES

- Built in cast iron
- Firebox lined in refractory
- Combustion air control
- Ash pan
- Top flue exit
- Finish: Matte black

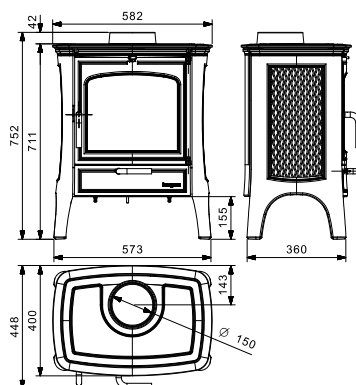
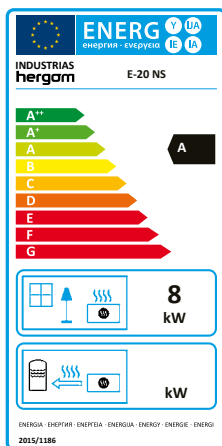
TECHNICAL DATA

GENERAL DATA

Energy Efficiency Index (Ecolabel)	A
EC Certification	RRF-40 16 4261-1
Norm	EN 13240
Heat Output - Min.-Max. (kW)	3-12
Heat Output - Nominal (kW)	8
Efficiency (%)	75%
CO Emissions (13% O2 Vol. %)	0,17
Maximum Log Length (mm)	420
Weight (kg)	105

INSTALLATION

Flue exit (mm)	Top
Ø Flue exit (mm)	150
Ø Outside Air Inlet (mm)	-
Side clearance to combustibles (mm)	600
Rear clearance to combustibles (mm)	600
Recommended Chimney Height (m)	5-6
Minimum Draft (Pa)	15
Average Smoke Temperature (°C)	279



hergom.com