

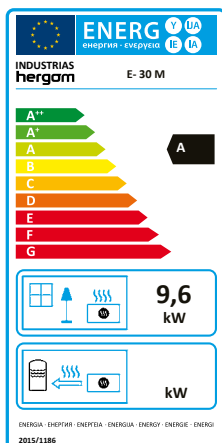
# hergom

## E-30 M WOOD STOVE



### FEATURES

- Built in cast iron
- Firebox lined in white cast iron panels
- Combustion air control
- Outside air inlet
- Ash pan
- Top flue exit
- Finish: matte black



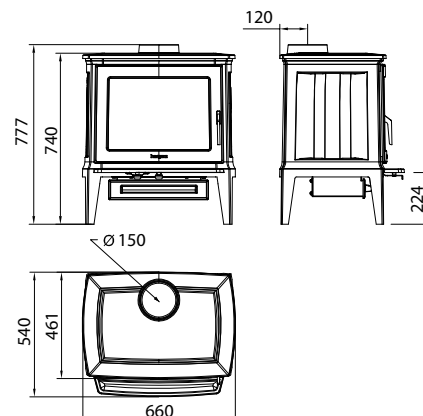
### TECHNICAL SPECIFICATIONS

#### GENERAL DATA

Energy Efficiency Index (Ecolabel)	A
EC Certification	RRF 40 16 4357
Norm	EN 13240 / Art. 15a BV-G / BlmSchV
Heat Output min-max (kW)	3-12
Heat Output - Nominal (kW)	9,6
Efficiency (%)	79%
CO Emissions (13% O2 Vol. %)	0,10
Max. Log Length (mm)	500
Weight (kg)	150

#### INSTALLATION

Flue Exit (mm)	Top
Ø Flue Exit (mm)	150
Ø Outside Air (mm)	80
Side clearance to combustibles (mm)	450
Rear clearance to combustibles (mm)	450
Recommended chimney height (m)	5-6
Minimum draft (Pa)	15
Average smoke temperature (°C)	281



hergom.com