

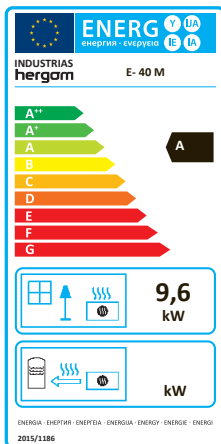
hergom

E-40 WOOD STOVE



FEATURES

- Built in cast iron
- Firebox lined in white cast iron panels
- Combustion air control
- Outside air inlet
- Ash pan
- Top and rear flue exit
- Finish: matte black



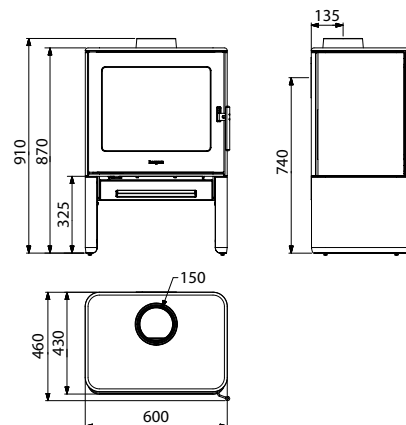
TECHNICAL SPECIFICATIONS

GENERAL DATA

Energy Efficiency Index (Ecolabel)	A
EC Certification	EN 13240 / BlmSchV
Norm	EN 13240 / Art. 15a BV-G / BlmSchV
Heat Output min-max (kW)	3-12
Heat Output - Nominal (kW)	9,6
Efficiency (%)	79%
CO Emissions (13% O2 Vol. %)	0,10
Max. Log Length (mm)	500
Weight (kg)	150

INSTALLATION

Flue Exit	Top / Rear
Ø Flue Exit (mm)	150
Ø Outside Air (mm)	80
Side clearance to combustibles (mm)	450
Rear clearance to combustibles (mm)	450
Recommended chimney height (m)	5-6
Minimum draft (Pa)	15
Average smoke temperature (°C)	281



hergom.com