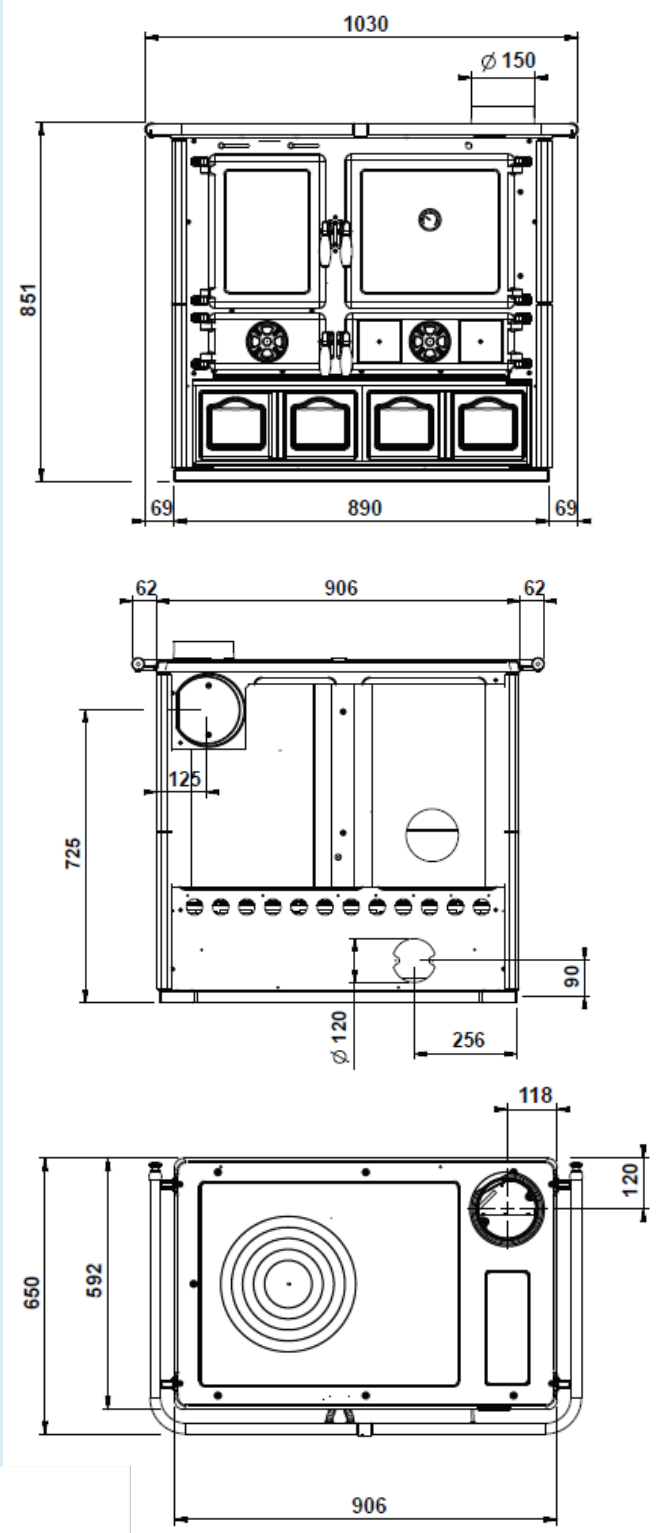




ROSA 5.0 – MAIOLICA



Dimensions (W-H-D)	1030x851x650 mm
Net weight	204 kg
Smoke outlet diameter	150 mm S / P
Efficiency	85,4 %
Hourly consumption	2,5 kg/h
Energy Label	A+

8,8 kW
rated thermal input

252 m³
heatable