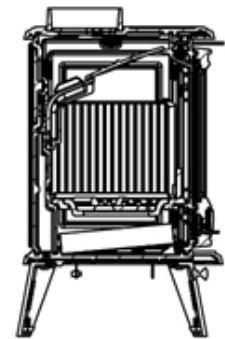
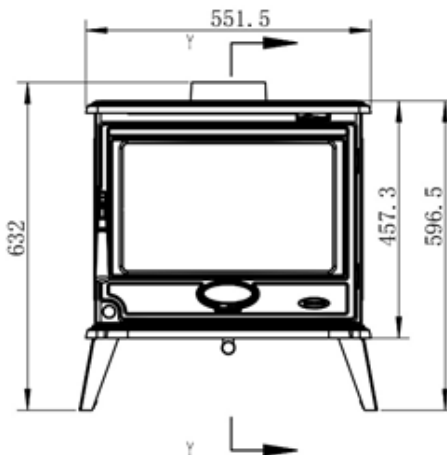
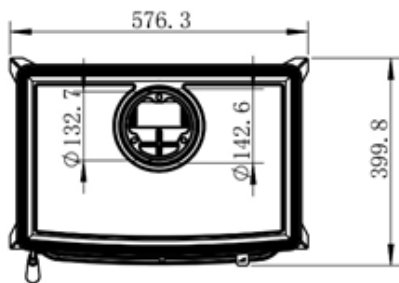




Model: WIKING - NEWMAN03

Full cast iron, closed combustion fireplace. Unit includes ashpan and riddling grate
3 year limited warranty



PRODUCT SPECIFICATION

Nominal heat output (kW):	8kW
Maximum heat output (kW):	10kW
Heating capacity (m2):	±100-130
Fuel:	Multifuel
Dimensions HxWxD:	597x552x400mm
Net weight (kg):	103kg
Appliance pipe adaptor:	n/a add 1m 6mm Rope
Flue pipe diameter:	125mm
Pipe connection:	Top & Rear
Glass size:	421x260mm