



We make  
the difference!

## Fireplace Range

Built-in Fireplaces | Freestanding Fireplaces

Alpine Fireplaces | Vented Fireplaces

Vent Free Fireplaces | Log Set Products

Fireplace Accessories





# Braai And Fireplace Manufacturer

## Home Fires Fireplaces

### Advantages Of A Home Fires Fireplace

- Only "A" - grade hot rolled mild steel of 3mm thickness is used for fire boxes, which ensure a long lasting product and peace of mind.
- Loose easy replaceable fire grids inside the grate basket drastically reduce maintenance costs.
- A large ash drawer in the foot piece of the freestanding fireplace, originally designed by Home Fires, makes cleaning an easy and less frequent task.
- A large ash drawer front on the built-in models' ash drawers, also originally designed by Home Fires, hides away ashes and gives the unit a neat appearance, even after use.
- All fireplaces feature a double or triple back plate, which ensures longevity and incorporates normally a convection cavity.
- Most freestanding fireplaces features both radiant and convection heat systems.
- All built-in fireplaces features both radiant and convection heat systems.
- All build-in fireplaces features an adjustable damper, which is easy controllable from the outside front of the fireplace, without any specialized tools.
- All freestanding fireplaces features an adjustable damper, which is easy controllable from the outside front of the fireplace, without any specialized tools.



## Company Profile

From its humble beginnings as a one-man business, operating from a small factory in Worcester in 1983, Home Fires has developed into a well-established organization and a market leader in the development of fireplace and braai products. The upgrading of production machinery and equipment and regular injections of operating capital has facilitated penetration into the export market.

Home Fires currently sets the trend of the quality and new design of fireplaces and braais, some of which are patented. All products are stringently tested for durability and affectivity and are confidently guaranteed for 15 years. Further to this, the products can successfully be used in any smoke-free area.



It is most important to read the detailed information and installation instructions supplied with every unit



# Built-in Fireplace Range

## Built-in Fireplace Range

For many people, an open fireplace is the cosiest way to keep warm. A built-in fireplace fitted with a surround and mantelpiece is a beautiful feature in any home. These units are effective and economical fuel users and produce heat by way of convection and radiation. There is something magical about the atmosphere that an open fire creates and it will really turn your house into a home. These fireplaces are easy to operate and to clean. Units with ash pits that can be cleaned from the outside are available on request.



**Single Sided Shallow Built-in Fireplace**

The standard 600 and 700 shallow unit is ideal for cluster developments or for smaller rooms, like a bedroom or a study.



**Single Sided Deep Built-in Fireplace**

The deep version comes in models 700, 850, 1050. These are normally installed into medium to larger areas, like living rooms, lounges and family rooms.



**New Shape 850 Built-in Fireplace**

This version features an improved convection system with the trim plate available in Black mild steel as well as in Stainless Steel. The trim plate is detachable for easier installation and the unit has a flat top for easier insertion into existing cavities.



**Double Sided Deep Built-in Fireplace**

This Double Sided version comes in models 700, 800, and 1000. Both sides are fitted standard with glass doors to enable regulation of the direction of radiation heat. Utilising a Double sided built-in fireplace as a room divider is a novel idea for optimal heat dispersion.



**Convection System**  
Applicable to the whole range



Grate basket and grid, ash drawer, insulation material and touch-up paint is standard issue with the whole range. Also included is a guarantee certificate and instruction manual.

All models are available in 3CR12 or 304 stainless steel. Special order only.



# Freestanding Fireplace Range



## Wall Unit Freestanding Fireplace

Available in models 650, 800, 1000 and 1200. The standard freestanding unit is ideal for application against a straight wall. The large ash drawer in the foot piece makes cleaning an easy and less frequent task.



## Slimline Unit Freestanding Fireplace

Available in models 600 and 700. The Slimline can be used as a freestanding or semi built-in unit. This economical design is ideal for the smaller family home, for low cost housing on farms and elsewhere. The large ash drawer in the foot piece makes cleaning an easy and less frequent task.



## Maluti Unit (without glass) Freestanding Fireplace

This contemporary fireplace is ideal for against a straight wall application. The large ash drawer in the foot piece makes cleaning an easy and less frequent task.



## Victorian Corner Unit Freestanding Fireplace

Available in models 800 and 1000. The Victorian corner unit utilises minimum space and is out of the way in the summer months. The large ash drawer in the foot piece makes cleaning an easy and less frequent task.



## Double Sided Freestanding Fireplace

Available in models 800, 1000 and 1200. Utilising a Double sided freestanding fireplace as a room divider is a novel idea for optimal heat dispersion. The direction of heat radiation can be controlled with fire screens. An archway between two rooms can also make a nice setting for this unit. The large ash drawer in the foot piece makes cleaning an easy and less frequent task.



## Maluti Unit (with glass) Freestanding Fireplace

This contemporary fireplace is ideal for against a straight wall application. The large ash drawer in the foot piece makes cleaning an easy and less frequent task. Glass on the sides create a bigger view on the fire from all angles and improve the ambiance of this fireplace.



## Corner Unit Freestanding Fireplace

Available in models 800 and 1000. The Corner unit utilises minimum space and is out of the way in the summer months. The large ash drawer in the foot piece makes cleaning an easy and less frequent task.



3.6m Flue pipe, rotating cowl, escutcheon plate, grate basket, ash drawer, insulation material and touch-up paint is standard issue with the whole range. Also included is a guarantee certificate and instruction manual.





# Alpine Open Fireplace Range



# 15 Year Warranty

Terms and conditions apply



## Alpine Wall Unit Freestanding Fireplace

This version comes in models 600, 800, and 1000. The Alpine Wall unit is ideal for application against a straight wall. The large ash drawer in the foot piece makes cleaning an easy and less frequent task. The three sided glass shield is in this case divided in two sections.



## Alpine Full Octagonal Unit Freestanding Fireplace

This Octagonal version comes in models 600, 800, and 1000. Utilising this Octagonal freestanding fireplace as a room divider is a novel idea for optimal heat dispersion. The direction of heat radiation can be controlled with the glass shield. An archway between two rooms can also make a nice setting for this unit. The large ash drawer in the foot piece makes cleaning an easy and less frequent task.



3.6m Flue pipe, rotating cowl, escutcheon plate, grate basket, ash drawer, three sided glass shield, insulation material and touch-up paint is standard issue with the whole range. Also included is a guarantee certificate and instruction manual.

All models are available in 3CR12 or 304 stainless steel. Special order only.



# LP Gas Open Vented Fireplace Range

• ESTABLISHED •

**1983**

## Outstanding Features:

- Easy to install
- The unit can be installed in new homes or existing Home Fires Fireplaces
- Automatic flame failure device cuts off the gas if the flame goes out.
- No ashes or mess to clean up after use
- Lighting is at the turn of a knob and the flame height and heat output is adjustable by turning a control knob.
- Consistent heat output.
- Safe and easy to use.
- Approved by LPGSASA.

The existing grate basket for solid fuel is retained without the loose fire grid when the conversion is done. This conversion gas grate is produced for the following Home Fires fireplaces:

- 800 Freestanding Wall Unit
- 1000 Freestanding Wall Unit
- 800 Victorian and Normal Freestanding Corner Unit
- 1000 Victorian and Normal Freestanding Corner Unit
- 700 Slimline Freestanding Unit
- 600 Alpine Wall Unit
- 800 Alpine Wall unit
- 700 Shallow Built-in Fireplace
- 850 Deep Built-in Fireplace
- 1050 Deep Built-in Fireplace



**700 Slimline**  
Freestanding Fireplace  
With coal effect gas grate.



**800 Victorian Corner**  
Freestanding Fireplace  
With coal effect gas grate.



**700 Built-in**  
Built-in Fireplace  
With coal effect gas grate.



**1050 Built-in**  
Built-in Fireplace  
With coal effect gas grate.





# LP Gas Open Vent Free Fireplace Range



**Freestanding Victorian Corner**  
Vent Free Fireplace  
With log set



**Freestanding Firebox**  
Vent Free Fireplace  
With gas pebble grate



**Double Sided Maluti Firebox**  
Vent Free Fireplace  
With log set



**Maluti Firebox**  
Vent Free Fireplace  
With glass sides and log set



**Double Sided Built-in**  
Vent Free Fireplace  
With log set



**Built-in Firebox**  
Vent Free Fireplace  
With coal gas grate



**Built-in Firebox**  
Vent Free Fireplace  
With stainless steel front with log set



**Double Sided Built-in Firebox**  
Vent Free Fireplace  
With stainless steel front with log set

\*NOT ALLOWED TO BE INSTALLED IN BEDROOMS OR BATHROOMS





# Log Set Products Range

## Log set products

**NO SOOT, NO ASH, NO SMOKE, NO MESS - JUST LIKE A REAL FIRE... ONLY BETTER**

All the warmth of a real wood fires with Natural Flames, hand crafted beautifully realistic logs that never burn down and with glowing ember effect.

**Warming Homes for over 60 years**

All Real-Fyre Gas Logs are detailed with high definition bark and natural colours for authentic wood realism. Real-Fyre gas Logs are manufactured using stringent standards and the most advanced technology and are the most realistic vent free log sets on the market today. All Real-fyre gas logs offer 99% efficiency and reliability. A full natural flame that uses a minimum of gas offers money-saving fuel efficiency. You burn them with the damper closed putting all the heat into your room. No electricity is needed for reliable supplementary heating. All Real-fyre gas logs sets include an Oxygen Depletion Sensor (ODS) for safe vent-free operation and is certified by the LP Gas Association of South Africa and designed to the highest international CSA Safety standards.

**Please Note that we also offer burners with a white pebble or anthracite coal look, if a log fire look is not what you want. These pebble or coal effect burners have an output of 9kW and a gas consumption of 0.64 kg/hour**

All Vent Free Gas burners distributed by Home Fires can according to minimum certified dimension, be installed in the following fireplaces:

- An existing solid fuel burning masonry fireplace
- A pre-fabricated steel solid fuel burning fireplace
- An approved universal Vent Free fireplace box (Built-in or Freestanding)
- The use of vent free fireplaces in bedrooms and bathrooms is not allowed.
- Please adhere to minimum room sizes.

We offer Vent free fireboxes to house the burner of your choice in the following format:

- Freestanding; either corner or wall units
- Built-in; either single sided or double sided.
- All fire boxes available in 3CR12 steel or 304 Stainless Steel on special order only

**Please note that all vent free products must be installed by a qualified gas installer! Natural Gas units are available on special order.**



**G18 - Evening Fyre**



**G10 - Charred Frontier Oak**



**G10 - Charred Aged Split Oak**



**G9 - Golden Oak Designer**



**G9 - Split Oak**



**G9 - Split Oak Designer See-thru**





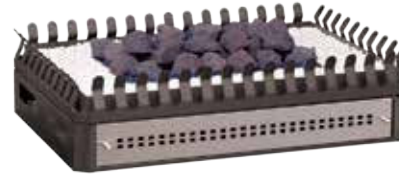
# Log Set Products Range



Coals



Pebbles



Double Sided Coals

## The G9 Gas Log Sets

Clean Burning and Safe. All sets are rated at maximum 36,000 BTU. This is the cleanest burning loose ember vent-free Log set on the market! Standard equipped with an Oxygen Depletion Sensor (ODS). Available in 610mm size, single sided and see-thru.

## The G10 Gas Log Sets

The G10 Charred Series offers the most realistic looking vent-free gas log sets on the market today with its yellow dancing flames and dramatic glowing embers. Standard equipped with an Oxygen Depletion Sensor (ODS). The output is 37,000 BTU maximum on LP Gas. The variable flame control lets you choose the flame height and heat output. Available in 410mm & 610mm sizes.

## The G18 Gas Log Sets

The G18 Series offers a very realistic looking vent-free gas log sets. Featuring the advanced G18 Burner System, equipped with an ODS (Oxygen Depletion Sensor). The output of these Log Sets is 38,000 BTU maximum on LP Gas. The variable flame control lets you choose the flame height and heat output. Available in 762mm size.

Logset	Size	Max BTU	Max KW	Manual	On/Off Remote	Minimum Room Size	Maximum Room Size	Low Gas Consumption	High Gas Consumption
G18 Evening Fyre (EFV)	762mm	38000	11,14	X		160 m <sup>3</sup>	380 m <sup>3</sup>	560g/h	830g/h
G10 Charred Frontier Oak (CHFR)	610mm	37000	10,84	X		155 m <sup>3</sup>	360 m <sup>3</sup>	390g/h	720g/h
G10 Charred Split Oak (CHAS)	410mm 610mm	37000	10,84	X		155 m <sup>3</sup>	360 m <sup>3</sup>	390g/h	720g/h
G9 Golden Oak Designer (RD9)	610mm	36000	10,55	X		150 m <sup>3</sup>	350 m <sup>3</sup>	370g/h	670g/h
G9 Split Oak (S9)	610mm	36000	10,55	X		150 m <sup>3</sup>	350 m <sup>3</sup>	370g/h	670g/h
G9 See-Thru (S9 -2)	610mm	38000	11,14		X	160 m <sup>3</sup>	380 m <sup>3</sup>	580g/h	830g/h

## PRODUCT WARRANTY

- Peterson Real-Fyre® Vent Free Gas Log Warranty
- All Real-Fyre® Vent Free Refractory Ceramic Gas Logs are covered by a lifetime warranty (as long as you own them)
- All Real-Fyre® Vent Free burner component parts, except the ember bed, valves, pilots, and controls are covered by a ten (10) year warranty
- All Real-Fyre® valves, pilots and controls are covered by a one (1) year warranty

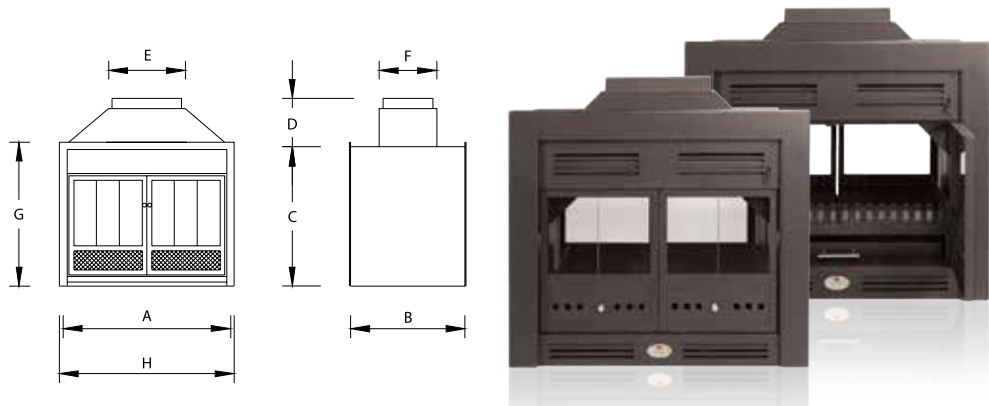
## CERTIFICATION TEST RESULTS:

All Real-Fyre® Vent Free Gas Log sets offered by Home Fires have been certified by the LP Gas Safety Association of South Africa in accordance with SANS 1539:2012 "Appliances operating on liquefied petroleum - Safety Aspects". The results from the tests conducted on the Real-Fyre® Vent Free fireplace for the CO:CO2 mass ratio reflected a CO:CO2 mass ratio of 0.0030, which is well below the permissible concentrations of 0.01% as stipulated by SANS1539:2012



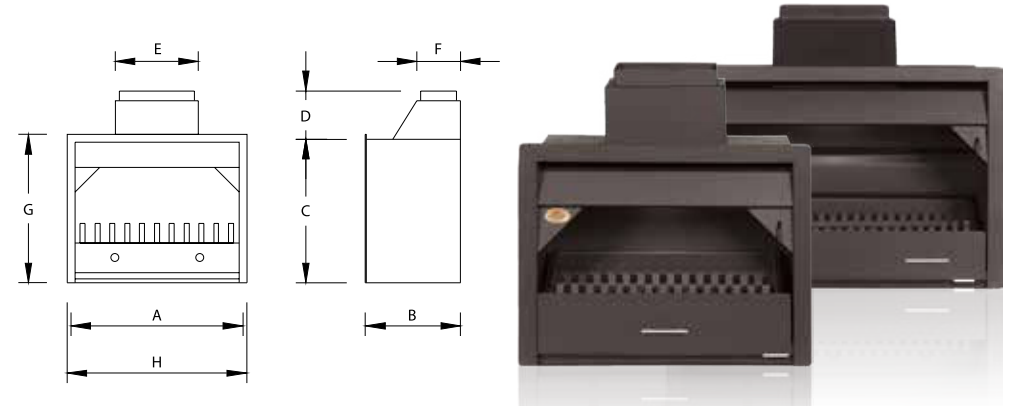


# Fireplace Dimensions



## Double Sided Built-In Fireplace Heating Volume m<sup>3</sup>

MODEL	A	B	C	D	E	F	G	H	WOOD ANTHRACITE
700	820	595	755	195	350	305	835	890	150
800	920	595	755	195	395	305	835	990	180
1000	1120	595	755	195	495	305	835	1190	210



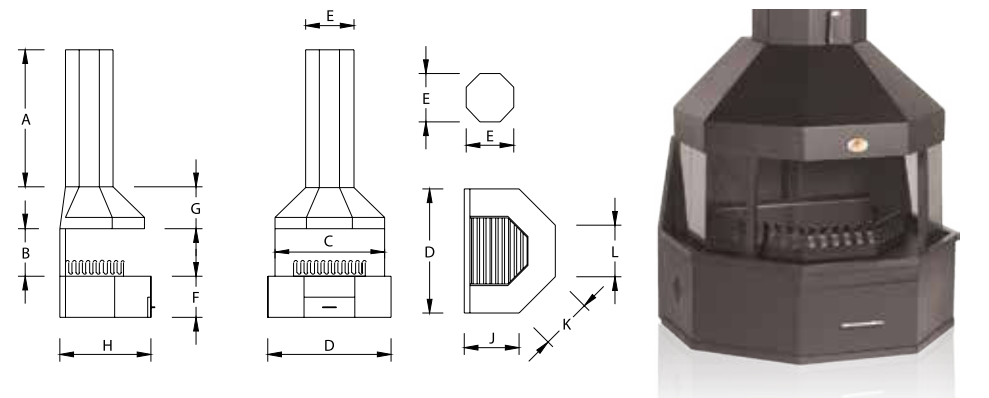
## Single Sided Built-In Fireplace Heating Volume m<sup>3</sup>

MODEL	A	B	C	D	E	F	G	H	WOOD ANTHRACITE	GAS
600 S	645	355	605	230	235	235	630	695	80	-
600 D	645	475	605	230	235	235	630	695	90	-
700 S	740	355	605	230	335	235	630	795	100	70
700 D	740	475	755	230	335	235	770	795	120	-
850	890	475	755	230	435	235	770	945	140	100
1050	1090	475	755	230	435	235	770	1145	160	115



## New Shape 850 Built-in Fireplace Heating Volume m<sup>3</sup>

MODEL	A	B	C	D	E	F	G	H	J	WOOD ANTHRACITE
850	845	480	755	1045	430	230	835	885	860	140

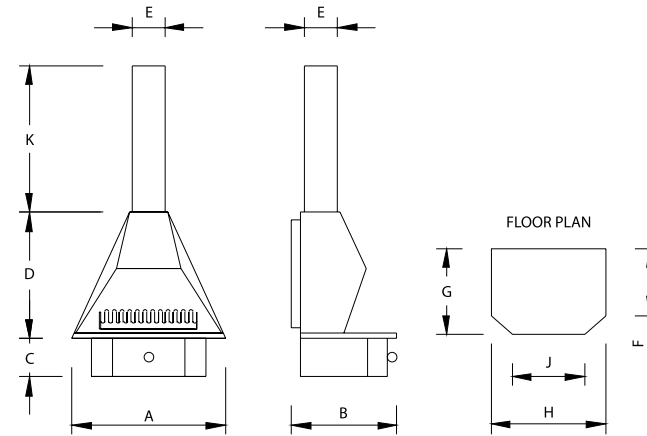
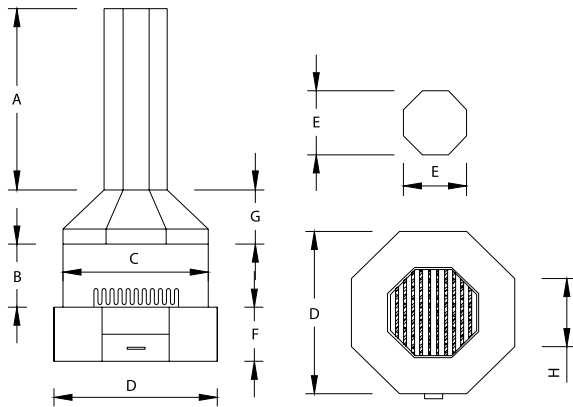


## Alpine Wall Unit Heating Volume m<sup>3</sup>

MODEL	A	B	C	D	E	F	G	H	J	K	L	WOOD ANTHRACITE
600	3600	340	610	730	245	305	255	545	320	300	300	90
800	3600	300	815	900	340	305	325	675	395	375	375	120
1000	3600	495	1025	1210	425	410	400	830	475	500	500	200



# Fireplace Dimensions



## Alpine Full Octagonal Unit

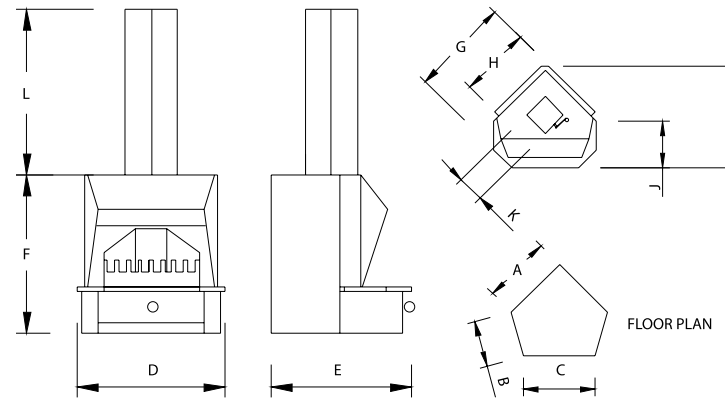
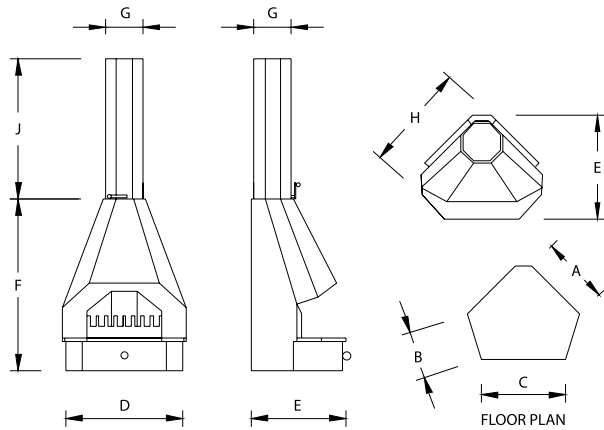
Heating Volume m<sup>3</sup>

MODEL	A	B	C	D	E	F	G	H	WOOD ANTHRACITE	
									WOOD ANTHRACITE	GAS
600	3600	355	610	740	245	310	255	300	120	-
800	3600	330	815	920	340	310	325	375	150	-
1000	3600	460	1025	1225	425	415	390	500	240	-

## Freestanding Wall Unit

Heating Volume m<sup>3</sup>

MODEL	A	B	C	D	E	F	G	H	J	K	L	WOOD ANTHRACITE		GAS
												WOOD ANTHRACITE	GAS	
650	660	480	200	655	180	300	380	510	345	3600	100	-	-	
800	805	550	200	660	180	350	460	605	380	3600	120	85	-	
1000	1010	710	250	790	220	430	550	765	520	3600	160	115	-	
1200	1210	730	250	1000	280	500	670	960	620	3600	240	-	-	



## Freestanding Victorian Corner Unit

Heating Volume m<sup>3</sup>

MODEL	A	B	C	D	E	F	G	H	J	WOOD ANTHRACITE		GAS
										WOOD ANTHRACITE	GAS	
800	400	310	515	665	700	1055	230	690	3600	120	85	-
1000	550	290	610	785	780	1290	250	780	3600	160	115	-

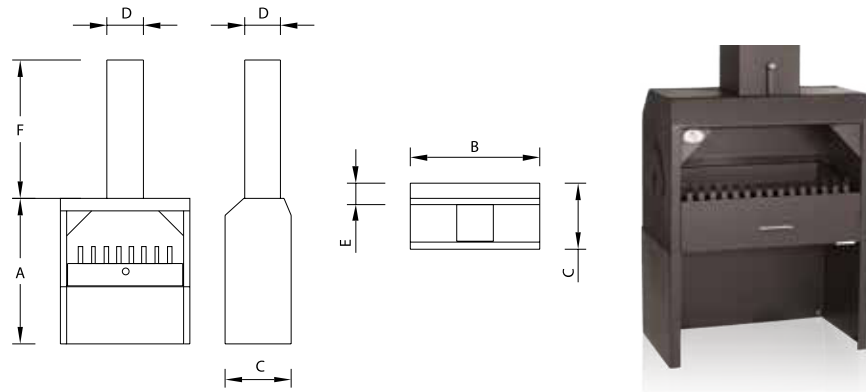
## Freestanding Corner Unit

Heating Volume m<sup>3</sup>

MODEL	A	B	C	D	E	F	G	H	J	K	L	WOOD ANTHRACITE		GAS
												WOOD ANTHRACITE	GAS	
800	470	310	510	710	730	760	680	520	350	180	3600	120	85	-
1000	555	340	620	810	820	810	760	600	360	220	3600	160	115	-



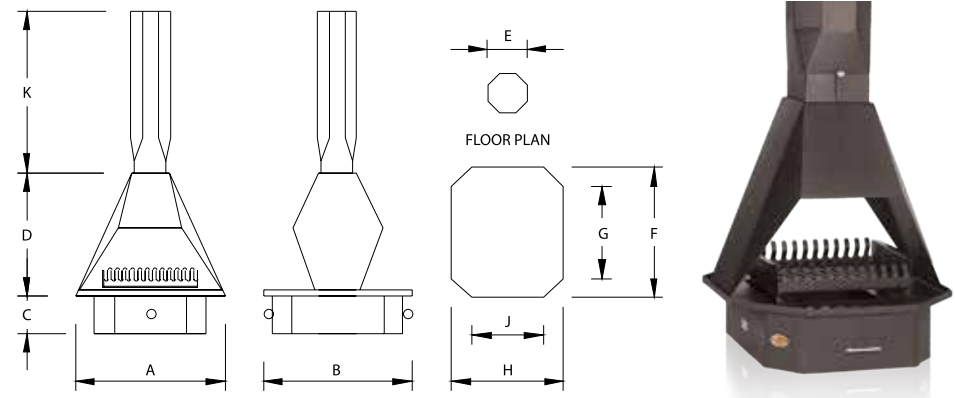
# Fireplace Dimensions



## Slimline Freestanding Unit

Heating Volume m<sup>3</sup>

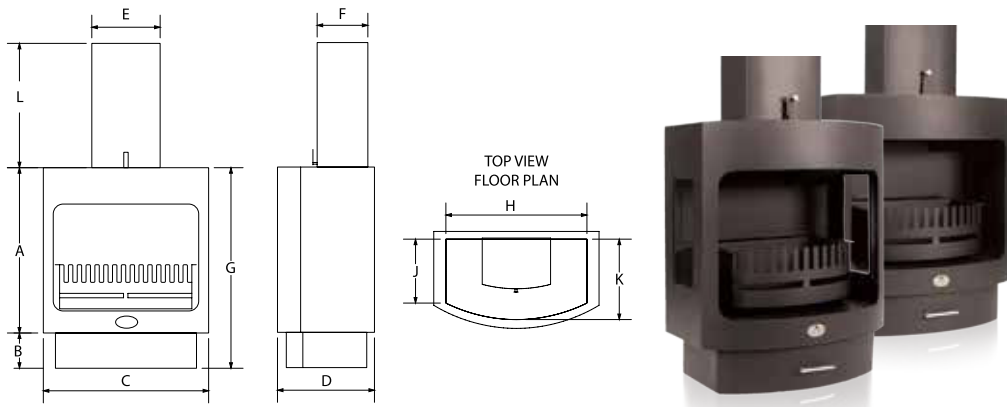
MODEL	A	B	C	D	E	F	WOOD ANTHRACITE	
							WOOD ANTHRACITE	GAS
600	915	610	420	180	195	3600	120	-
700	915	710	420	220	150	3600	150	105



## Double Sided Freestanding Unit

Heating Volume m<sup>3</sup>

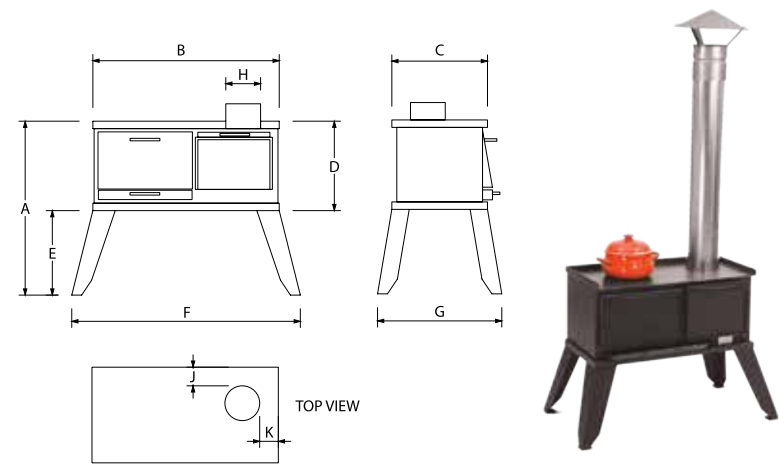
MODEL	A	B	C	D	E	F	G	H	J	K	WOOD ANTHRACITE	
											WOOD ANTHRACITE	GAS
800	800	810	200	685	280	705	500	605	405	4800	160	-
1000	1000	1005	250	870	280	890	650	760	520	4800	200	-
1200	1200	1205	250	1100	350	1150	800	990	640	4800	250	-



## Maluti Unit (with and without glass) Freestanding Fireplace

Heating Volume m<sup>3</sup>

MODEL	A	B	C	D	E	F	G	H	J	K	L	WOOD ANTHRACITE	
												WOOD ANTHRACITE	GAS
750	750	160	750	445	320	240	910	640	295	380	3600	140	-



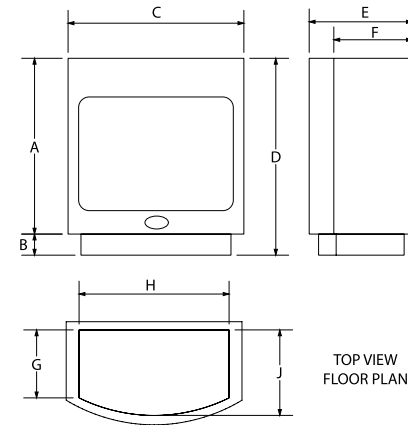
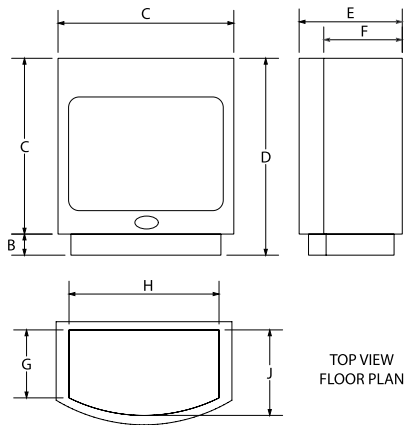
## Farm Stove

Heating Volume m<sup>3</sup>

MODEL	A	B	C	D	E	F	G	H	J	K	WOOD ANTHRACITE	
											WOOD ANTHRACITE	GAS
750	700	750	385	360	340	920	500	150	75	75	1400	-



# Fireplace Dimensions



## Freestanding Firebox Vent Free 16"

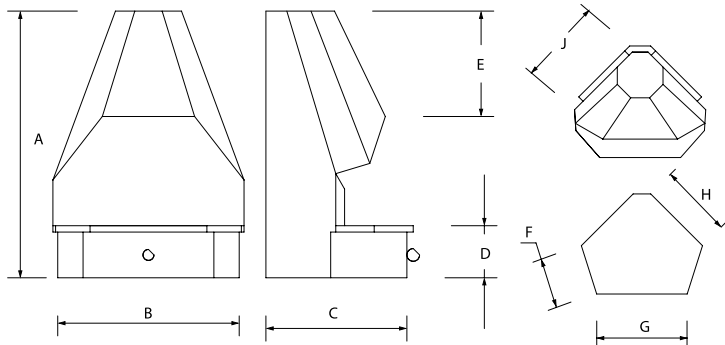
Heating Volume m<sup>3</sup>

MODEL	A	B	C	D	E	F	G	H	J	16" G10 LOGSET	600 COAL / PEBBLE GRATE
16"	700	70	600	780	410	335	290	500	350	360	196

## Freestanding Firebox Vent Free 24"

Heating Volume m<sup>3</sup>

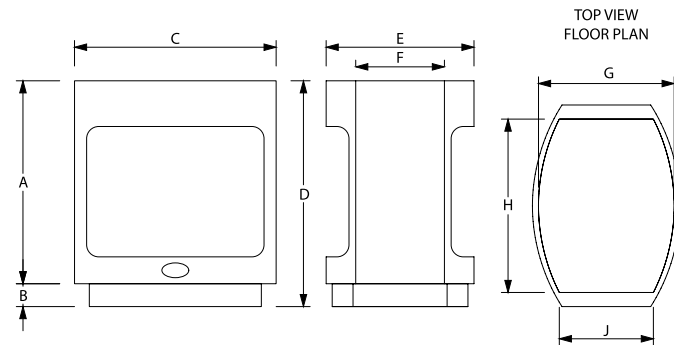
MODEL	A	B	C	D	E	F	G	H	J	24" G9/G10 LOGSET	700 COAL / PEBBLE GRATE
24"	750	90	750	840	440	335	290	640	365	350/360	324



## Freestanding Victorian Corner Vent Free Firebox 24"

Heating Volume m<sup>3</sup>

MODEL	A	B	C	D	E	F	G	H	J	24" G9 LOGSET	600 COAL / PEBBLE GRATE
Victorian	1050	670	700	230	470	316	520	400	480	350	196



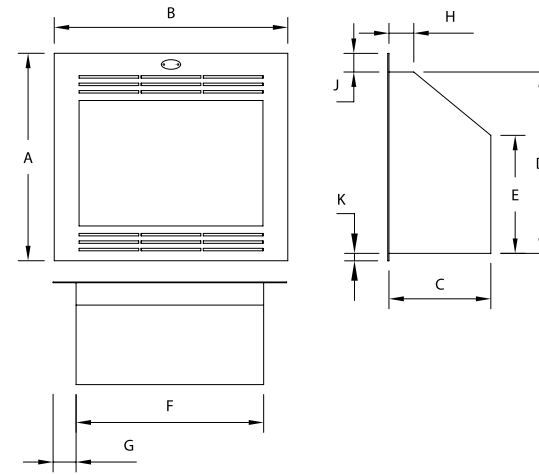
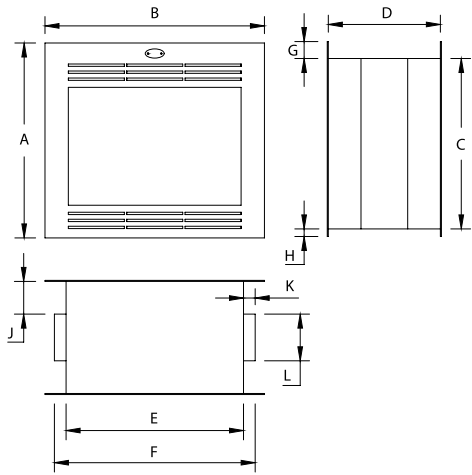
## Double Sided Maluti Firebox Vent Free

Heating Volume m<sup>3</sup>

MODEL	A	B	C	D	E	F	G	H	J	24" G9 SEE-THRU LOGSET	700 DOUBLE COAL / PEBBLE GRATE	
	750	755	85	750	840	550	330	505	645	350	380	400



# Fireplace Dimensions



## Double Sided Built-In Firebox Vent Free 24"

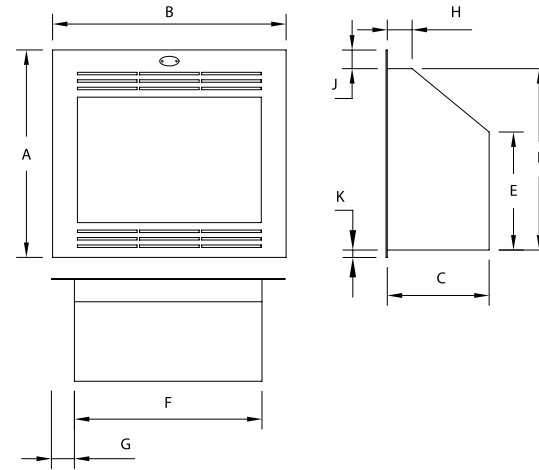
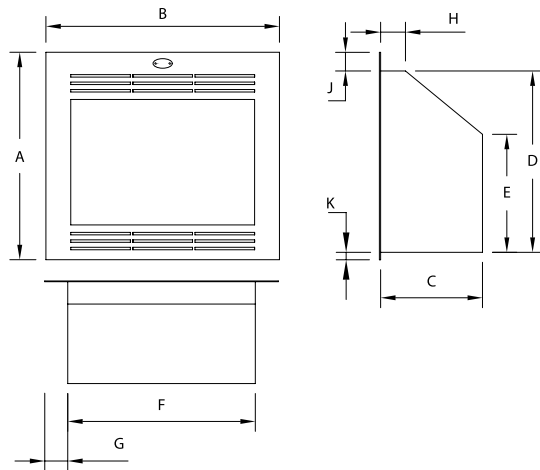
Heating Volume m<sup>3</sup>

MODEL	A	B	C	D	E	F	G	H	J	K	L	24" G9 SEE-THRU LOGSET	700 DOUBLE COAL / PEBBLE GRATE
24"	835	940	760	480	765	870	50	25	135	50	205	380	400

## Built-In Firebox Vent Free 16"

Heating Volume m<sup>3</sup>

MODEL	A	B	C	D	E	F	G	H	J	K	16" G10 LOGSET	600 COAL / PEBBLE GRATE
16"	775	740	410	665	425	550	90	100	85	30	360	196



## Built-In Firebox Vent Free 24"

Heating Volume m<sup>3</sup>

MODEL	A	B	C	D	E	F	G	H	J	K	24" G9/G10 LOGSET	700 COAL / PEBBLE GRATE
24"	835	940	410	730	475	760	90	100	75	30	350/360	324

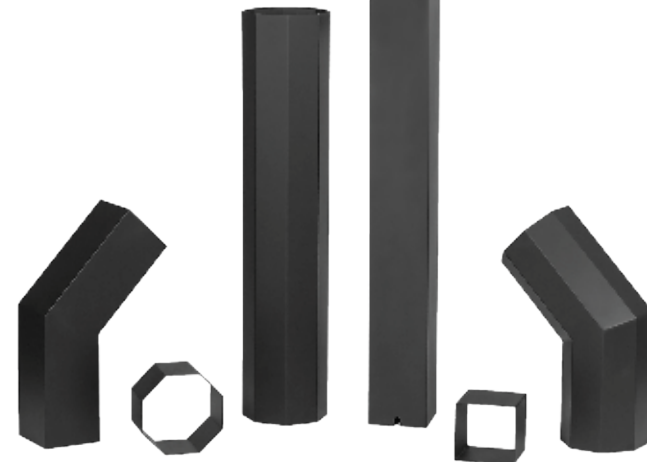
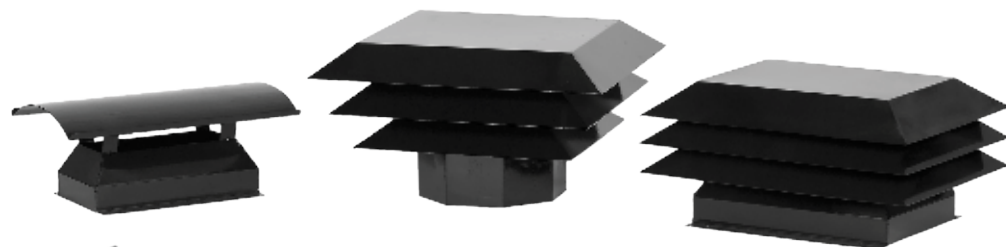
## Built-In Firebox Vent Free 30"

Heating Volume m<sup>3</sup>

MODEL	A	B	C	D	E	F	G	H	J	K	30" G18 LOGSET	800 COAL / PEBBLE GRATE
30"	935	1090	450	835	575	910	90	100	85	40	380	324



# Fireplace Accessories Range





## Home Fires (Pty) Ltd

6 Field Street, Worcester

P O Box 873, Worcester, 6849, South Africa

Tel (023) 342 3330 - Fax (023) 342 5940

Tel(Int.) +27 23 342 3330 - Fax (Int.) + 27 23 342 5940

Email: manufacturing@homefires.co.za

Website: www.homefires.co.za

## Home Fires Tvl (Pty) Ltd

1306 South Street, Centurion

P O Box 7325, Centurion, 0046, South Africa

Tel (012) 663 3911 - Fax (012) 663 3991

Tel(Int.) +27 12 663 3911 - Fax (Int.) + 27 12 663 3991

Email: homefires@homefires.co.za

Website: www.homefires.co.za

Whilst every endeavour will be made to supply the goods illustrated in this catalogue, any photograph, description, specification or illustration generally represents Home Fires' goods offered. They do not constitute a sale by description. Home Fires reserves the right to supply similar but not identical goods to those illustrated.

This brochure, and the contents thereof, remain the property of Home Fires, and may not be copied or reproduced in any way © 2013.

Distributor

