

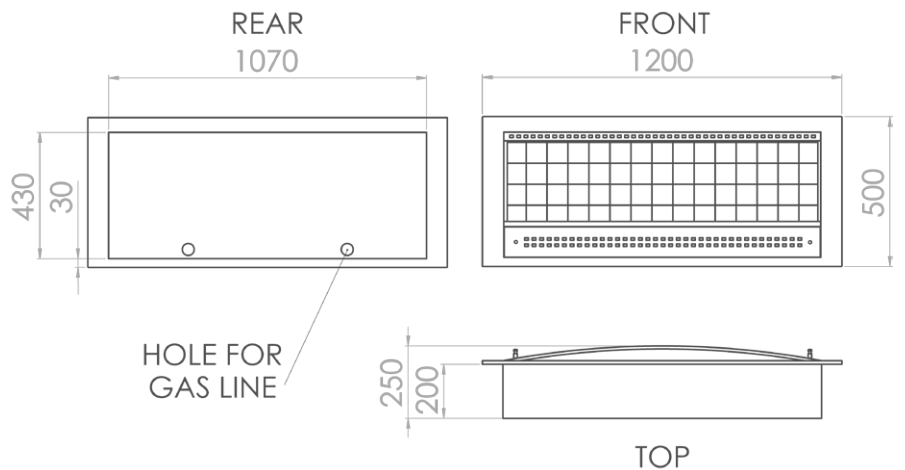


## Contemporary Fireplace

- VFP 1000 -

The Contemporary Fireplace features a wide viewing angle and is capable of heating an area of 144m<sup>2</sup> in a large open plan home.

The Contemporary Fireplace combines elements of stainless steel, heat resistant coatings, tempered fireglass and tasteful design application, effortlessly creating a warm ambience in the main living area of any extremely large home.



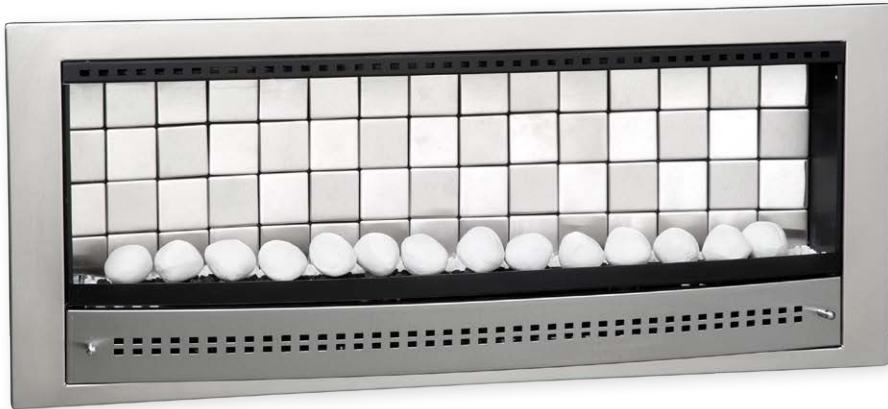
SAFETY, STYLE & QUALITY THAT LASTS

Since 1983  
**CHAD-O-CHEF**  
*Lifestyle products*



# Contemporary Fireplace

- VFP 1000 -



## SPECIFICATIONS

<i>Model</i>	<i>VFDS1000</i>
<i>Gas type</i>	<i>LPG or Nat.</i>
<i>Operating pressure</i>	<i>2,8 kPa</i>
<i>Min Regulator size</i>	<i>2 kg/hr</i>
<i>Max. gas consumption</i>	<i>0.84 kg/hr</i>
<i>Max. mJ input</i>	<i>42 mJ/hr</i>
<i>Max. kW input</i>	<i>12 kW/hr</i>
<i>Gas inlet connection</i>	<i>Ø8mm comp.</i>
<i>Ignition</i>	<i>Piezo Spark</i>
<i>ODS ( Pilot jet)</i>	<i>min 18.5% O2</i>
<i>Coals</i>	<i>14</i>
<i>Pebbles</i>	<i>14</i>
<i>Min. Room size</i>	<i>113m<sup>3</sup></i>
<i>Max. Room size</i>	<i>466m<sup>3</sup></i>

## INSTALLATION INSTRUCTIONS

The Contemporary Fireplace is best installed into a 200-250mm deep aperture in a wall, in a Single sided orientation. The aperture in the wall needs the support of a single load bearing lintel above the Contemporary fireplace, before it can be installed.

There are two holes in the Stainless Steel body of the Contemporary Fireplace for a gas line to be easily installed from behind.

### FIREPLACE FINISHES

Stainless Frame  
Tiled Back



Stainless Frame  
Plain Back



Black Frame  
Tiled Back



Black Frame  
Plain Back

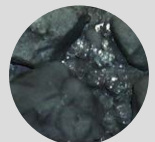


### BURNER FINISHES

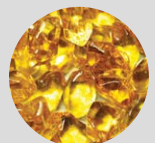
White Ceramic  
Pebbles



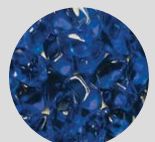
Black Ceramic  
Coals



Aztec Gold  
Glass



Azure Blue  
Glass



Crystal Clear  
Glass



Diamond Black  
Glass

