



No 3 Counter Top Gas Grill & Filter Frame Extraction System



FIREFOX

IGNITING PASSION. EMBRACING EXCELLENCE.

INTRODUCTION

Firefox is a premium manufacturer, supplier and distributor of fireplaces, braais, gas grills, smoke extraction systems, flueing systems and gas cages. With over 3 decades of experience in this industry, our reputation to produce units that look good, perform well and can stand the test of time is well established.

Though long established relationships with shops that sell and install our products, we are well placed to hear the needs of our clients and to continually look at ways to adapt our product range to incorporate these into our ranges. The Firefox team is single minded in their quest to produce products that are easy to use, stylish, highly efficient and built to last; with locally available spares when required in the future.

In this brochure we are showcasing the following ranges:

- Built In Braais operating off charcoal/wood or gas
- Counter Top, Drop In, Trolley & Drum Gas Braais
- Canopy and Filter Frame, Smoke Extraction Systems
- Circular and Rectangular, Flueing Systems
- LP Gas Cages

To look at our powerful and highly efficient home heating systems go to www.infinitifires.co.za or obtain an Infiniti Fires brochure from one of our distributors.

Whatever your braai, smoke extraction or home heating requirements, we are confident you will find the ideal solution in our product ranges. We look forward to being of service to you and hope you will join the many thousands of satisfied clients who have purchased from us since our inception.



CHOICE OF STEEL YOUR BUILT IN BRAAI CAN BE MADE FROM

South Africa is a large country with a diverse climate, that demands a choice of steel that a Built In Braai can be made from. In the Highveld/Karoo/Free State where the climate is drier, mild steel is a good choice, that will give a long lifespan and look good with an occasional touch up on the paint. At the coast where corrosion is a significant problem, a 3Cr12 (rust resistant steel) or 304 Stainless Steel option will ensure a braai that will last longer and look better than a mild steel braai.





700 Multifunction
Full Mild Steel/3Cr12
Painted Black



1200 Multifunction
Mild Steel body /inners, painted black
Stainless Steel frame & door



1000 Multifunction
Full Stainless Steel

On all our built in braais, we offer the client the choice of the firebox, frame, door and inners being made in the following materials:

- Mild Steel firebox, frame, door and inners (painted black)
- Mild steel firebox and Inners (painted black) with a 304 Stainless Steel frame and front door
- 304 St Steel firebox, frame, door and inners
- 3Cr12 firebox, frame, door and inners (painted black)
- 3Cr12 firebox and inners (painted black) with a 304 Stainless Steel frame and front door

ITEMS COMMON TO ALL OUR BUILT IN BRAAI RANGES

REMOVABLE GATHER AND FLUE OUTLET

Our flue gather is not welded to the braai body, but is attached with nuts and bolts. This assists installation into an existing brick built chimney, where there is an opening that the braai box can slide into. You have the option to fit the gather and a flue system or use the as built chimney if it is suitable. Our gathers are available with either a rectangular or circular outlet giving you the choice of which shape flue you wish to use.

FOLD DOWN AND SLIDE IN DOOR

All our built in braais now have single doors that fold down and slide in, to provide a solid work table to hold your meat platter, condiments and cooking utensils. The door in the work table position allows easy access to cooking meat at the rear of the braai. A huge improvement on our older double door system, that put some strain on back muscles leaning into the braai.

SPIT MOTOR HOUSING

All our built in braais are equipped with a removable spit motor housing, allowing you to choose if you want to fit it or not. A 220 v motor, spit and skewers or one of our spit basket options can be purchased as an optional extra. Our Combo braais are equipped with a spit motor housing on both the charcoal and gas cooking sides, allowing you the choice of whether you fit the housings and if you want motors/spit options on one or both sides.



ITEMS COMMON TO ALL OUR BUILT IN BRAAI RANGES

LIGHT FITTING

All our built in braais come complete with a light fitting, to enable you to see the meat cooking when braaing in the dark. Our Combo Braais come with a light fitting on both the charcoal and gas sides.

INSULATION MATERIAL /PAINT

Our built in braais are supplied with adequate insulation to wrap the braai with, prior to building it into brickwork. This will allow the braai to expand with heat, without damage to either the braai or the brickwork. An aerosol tin of paint is included to touch the paint up on the braai once installed.

EASY OF TRANSPORTATION

If you are taking one of our braais as a charcoal unit, with the fold down and slide in door, it comes conveniently packaged into a sturdy cardboard box for transport to you wherever you are in the country. If you are taking one of our gas grills as part of this built in braai, the grill will come packaged in a separate box to protect it better in transport and whilst waiting on site for the braai body to be built in.



Boxed Charcoal Braai



ITEMS COMMON TO ALL OUR BUILT IN BRAAI RANGES

EASY SLIDE EMBER MAKERS

Our Ember Makers not only enable a continuous supply of hot charcoal/wood for uninterrupted cooking but also easy movement of the charcoal out of the ember maker onto the ember tray.

EMBER TRAY

Our ember tray has a heat deflector plate located between the hot embers and the meat tray, to reduce heat in the meat tray and minimise further cooking of already cooked meat. The ember Tray Includes an ash hole in the tray for easy cleaning.

STAINLESS STEEL GRID

Standard on all our charcoal braais.

STAINLESS STEEL MEAT AND ASH TRAYS

These rather classy 304 St Steel trays are now standard on all our charcoal braais. Use one to keep your cooked meat warm and then carry it through to the table for your hungry guests. Use the other to easily remove ash from the ember tray OR if you are having a big party clean it and use it as a second meat tray.



OPTIONAL ITEMS FOR OUR BUILT IN BRAAIS

220 V SPIT MOTOR

Fits into the Spit Motor Housing(s) included on each braai box.

CHICKEN SPIT & SKEWERS

Capable of rotisserie cooking 2 pieces of meat weighing in total up to 5 kg. It is good practice to centralise the meat as best as possible on the shaft to minimise motor wear and retain meat shape.

SPIT BASKET

Enables the easy cooking of slower cooking meats such as chicken flatties, wors and chops.

DEEP SPIT BASKET

Can hold up to 4 pieces of meat weighing up to a total of 5 kg, for easy cooking.

BRAAI PLATE/WOK

Available in small or large size, these come c/w egg rings. Great for doing breakfasts, stir fries, fish & prawns.

CLIP IN WARMING GRID

Available in 460 mm or 910 mm sizes. These Warming Grids can easily clip into the braai above the cooking surface. Great for keeping cooked meat warm or warming bread.



700 Multifunction Charcoal
Full Mild steel/3Cr12
Painted Black



1000 Multifunction Gas
Mild Steel/3Cr12 Body
Painted Black
Stainless Steel Frame and Door



1000 Multifunction Charcoal
Full Stainless Steel



1200 Multifunction Charcoal
Mild Steel/3Cr12 Body /inners
Painted Black
Stainless Steel Frame & Door



1500 Multifunction Charcoal
Full mild steel/3Cr12
Painted Black

MULTIFUNCTION BRAAI CHARCOAL/WOOD OR GAS

Our 1000 mm Multifunction braai has been a popular seller these last few years prompting us to bring it out in other sizes to suit better more clients requests. All with the host of standard features and optional extras as detailed on pages 2 - 5. It is now available in the following sizes, which are displayed above in the different steel options. 700/1000/1200/1500mm

1000 MULTIFUNCTION GAS BRAAI

Our 1000 Multifunction braai has a gas grill designed to fit. With 2 x 7 Kw burners, this grill provides a range of cooking temperature to satisfy all cooking preferences. It has all the inherent advantages of our other gas grills as detailed on pages 14 - 15.

DELUXE SIDEWARDS OPENING DOORS

Our 1000 Multifunction braai is capable of taking our Standard Fold Down and Slide In Door, or the optional Deluxe Sideways Opening Frame & Doors.

Light & rotisserie switches are built into the frame of this sideways door option.





COMBO BRAAI CHARCOAL/WOOD OR GAS

Our Combo Braais are designed for the family or business that wants the ability to cook on either wood/charcoal or gas.

Gas cooking is great, for being able to switch the grill on and be cooking 5 to 10 minutes later. Marvellous for those with a busy lifestyle that does not always allow time to get a wood/charcoal braai going.

The charcoal/wood burning section is great for when you have the time to make a fire and can properly enjoy the extra taste from the smoke.

If you are catering for a large party then use both sides.

Available in 1200 & 1500mm versions.



1200 Combo Braai
Mild steel/3Cr12 Body/innings
Painted Black
Stainless Steel Frame & door



1500 Combo Braai
Mild Steel/3Cr12
Painted Black



GAS BUILT IN BRAAIS

These built in gas braais use our Counter Top gas grills, giving all the inherent advantages of these grills:

- High heat output burners
- Continuous Spark Ignition System for ease of lighting
- Heavy duty Stainless Steel burners ensuring a long lifespan on these
- Large variation in heat output to suit all cooking styles
- Durable construction for low maintenance and long life
- Our unique Fat Catcher system that drains fat away from the cooking area
- Choice of Flame Tamer Plates or Rocks to suit individual taste

Available in 2 and 3 burner versions (855 or 1200mm wide).



COUNTER TOP GAS GRILL

This grill is designed for placement on a level platform (concrete, granite, marble, steel or any other non-combustible material on which the grill can stand).

Alternatively, the grill can be built into a structure in such a way that the top of the gas grill is supported by a non-combustible counter top or bracket.

Complete with a brushed Stainless Steel canopy over the grill, this creates a stunning visual effect on a covered patio.

The Counter Top grill is available in 1, 2 or 3 burner versions, with grill lengths ranging from 500 mm to 1100 mm.

STANDARD FEATURES ON COUNTER TOP, DROP IN AND TROLLEY GRILLS

All our gas grills come standard with:

- Lid, that covers the grill when not in use. On our Counter Top and Drop In units, the lid is hinged to provide a splash-back whilst cooking
- Low fat cooking system
- H shaped burners for high heat output
- Continuous Spark Ignition System for easy lighting

OPTIONAL FEATURES ON COUNTER TOP, DROP IN AND TROLLEY GRILLS

- Roasting Domes to fit our No 2 & 3 grills to decrease cooking time on normal braaing and to enable the grill to rotisserie, roast or slow cook meat, or to smoke food
- Oven fitted under the grill to increase cooking options
- Flat Braai Plates for frying food
- Stainless Steel Cupboard doors to close space under the Grill

See pages 10, 14 & 15 for details on the many standard and optional features of our gas grills.



DROP IN GAS GRILL

These grills are designed to drop into a non-combustible counter top, very much the same as you would a kitchen hob. They make a sleek and stylish option to the more traditional braai look.

Some air needs to be drawn from inside the cupboard for the combustion process to work efficiently. As our units have high capacity burners, each capable of producing 7 Kw of heat, the air requirement will be higher than for smaller heat output units. We recommend that allowance be made for good air ingress in the cupboard space. This could take the form of a louvre in the cupboard door, in the kick plate and cupboard base, or by means of a louvre or airbricks in the side or rear walls.

Unlike kitchen hobs, Drop-In gas grills produce their heat below the surface of the counter. Allowance needs to be made in the cupboard design that no combustible materials are located either touching or within 30 mm of the gas grill.

As with all our gas grills, these units have a drip tray at the bottom of the unit to catch any fat that drops through the burner area. It is important that this tray can be accessed and cleaned periodically. See page 18 for details of its location.

The Drop-In gas grill is available in 1, 2 or 3 burner versions, with grill lengths ranging from 700 mm to 1 300 mm.

GAS ROASTING DOME

Our Roasting Dome can fit onto either the Counter Top, Drop-In or Trolley Braai versions of our No 2 and 3 grills. A double skin lid keeps the temperature down on the outer surface. This keeps the brushed Stainless Steel looking good, even after heavy use. A built-in thermometer is included for greater control in the cooking process when the Roasting Dome is used for roasting or smoking food. Simply close the Dome when cooking thicker cuts of meat, thereby reducing cooking time. Spit options can be added to enable you to cook rotisserie style, in minimal time. See page 14 for spit and basket options.



EXTRACTION SYSTEMS WALL MOUNTED CANOPIES

Our Multibraai Canopy range is the culmination of years of experience and artful extraction system design. We have the most powerful extractor fan for domestic use, which allows the canopy to be placed about 900 mm above the gas grill's surface. This translates to it being placed about 1,8 m above floor level, keeping the canopy comfortably out of the way of people's heads.

Available in widths of 1 000 mm, 1 250 mm and 1 500 mm, our canopies can be made out of either 304 brushed Stainless Steel, or mild steel which is painted matt black. Standard features include 2 swivel lights for optimal lighting when cooking, and removable Stainless Steel mesh filters for easy cleaning.

The canopy can be installed with a vertical flue system through the roof, using either steel flues or aluminium ducting. It can also be supplied with a rear horizontal exit that can be flued or ducted to the outside.

If the canopy is positioned on an external wall, installation is simple: the fan is mounted inside a short pipe located in the external wall, and a louvre box on the outside conceals and protects the fan.

ISLAND STYLE CANOPIES

In the event that there is no rear wall to attach the canopy to, our Island Style Canopy can be supported from the ceiling. These canopies come standard with removable Stainless Steel mesh filters for easy cleaning, and 2 swivel lights for optimal lighting when cooking. They are available in widths of 1 000 mm and 1 250 mm.

CUSTOM DESIGN OPTIONS:

Should our standard canopies not work for your application, we are able to custom design and manufacture.



FILTER FRAMES



Filter Frames are ideal in situations where there is an existing brick chimney used by a gas grill, but where the smoke and fumes are not being extracted adequately. The custom-made Filter Frame is mounted into the brick opening above the gas grill to catch the grease, while an electrical fan is mounted at the top or rear of the chimney to help extract the fumes.

Our frames come standard with 2 swivel lights for optimal lighting when cooking, as well as removable Stainless Steel mesh filters for easy cleaning.

See front cover for image of a filter frame installed.



TROLLEY GAS BRAAI

Our Trolley Braais use our robust Counter Top gas grills, complete with ovens, and are mounted on a sturdy trolley. Our Trolley Braais are supplied with a loose lid that covers the braai when not in use, and moves from the top of the grill to a rear mounting bracket to act as a wind break when in use. A 9 kg gas bottle attaches to the trolley, making the unit easily moveable.

OPTIONS

- PVC cover for where unit is left in the rain
- Roasting Dome
- Spit Skewer & Basket options
- Braai Plate

See pages 10 & 14 for these details.



Spit with 4 rotating baskets

DRUM GAS BRAAI

This mobile gas cooker is ideal for the person who entertains a lot or for the professional caterer. The unit comes standard with a 220 V motor capable of handling 25 kg of meat, and a Stainless Steel sheep spit with 3 meat brackets for easy securing of the carcass. The infrared ceramic burner is equipped with a flexible hose & regulator, enabling you to simply attach a 9 kg gas bottle to the trolley, connect the regulator and start cooking.

OPTIONS

- 50 kg motor for use with heavier loads
- Spit Basket capable of holding chicken flatties, wors and lamb chops for easy cooking
- Deep Basket capable of holding up to 20 chickens or equivalent size roasts
- 4 rotating baskets on a spit shaft enabling up to 40 chickens or equivalent sized roasts to be rotisserie cooked.



CONVERSION GAS GRILL

This is a 2-burner gas grill, designed for the easy conversion of most 1 000 mm wide built-in braais from charcoal to gas. In most cases the process is as simple as sliding out the existing charcoal tray and grill, sliding this one in and connecting it to a 9 kg gas bottle.

Refer to page 19 for the gas grill dimensions to see how easily this unit can convert your built-in charcoal braai.



PORTABLE SPIT GRILLER

This portable braai is a must for outdoor enthusiasts. It comes in a briefcase-size pack measuring 545 mm x 350 mm x 85 mm, and opens out into a charcoal braai with a motorised rotisserie basket for easy cooking while fishing, on a picnic or on a weekend away. The addition of a charcoal starter makes lighting your braai, child's play!



Packed Griller

GAS GRILL FEATURES & ACCESSORIES



Spit & Skewers



Spit Basket



Deep Spit Basket

ROASTING DOME/ SPIT OPTIONS

Our Roasting Dome fits on the No 2 or 3 Gas Grill, and will help speed up the braaiing of meat, enable you to roast or slow cook meat or smoke food. Add a Spit/Basket option to cook fabulous rotisserie chicken or joints of meat!

SPIT AND SKEWERS

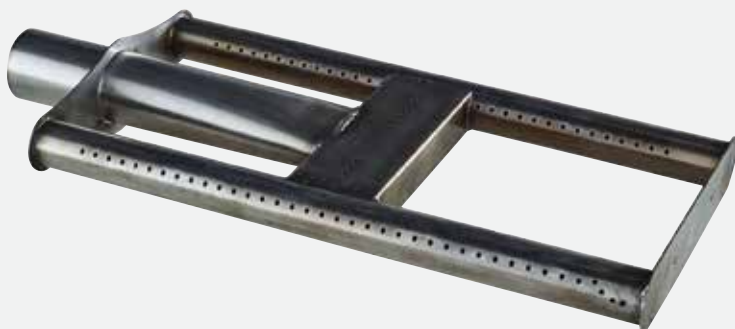
Prepare 2 joints of meat on the rotisserie, each weighing up to 1,5 kg, with ease.

SPIT BASKET

Cook those chicken flatties, lamb chops or wors with minimal effort. Great when the host wants to spend time interacting with his guests!

DEEP SPIT BASKET

Prepare several small roasts at the same time.



H BURNER

After intensive research we have decided that we will be discontinuing making these burners in cast iron and have commenced making these in thick gauge 304 Stainless Steel. This thick Stainless Steel will give an equally impressive life span to the burner, but with its high tolerance to rusting the Stainless Steel burners will require less cleaning than the cast iron.



V-SHAPED GRILL & FAT CATCHER

This unique grill system drains 75% of the fat from the cooking meat away into an easily removable fat catcher. It allows the remainder of the fat to drop into the hot combustion area where it can burn and give your food that great braai smoke flavour. The reduced amount of fat burning means less flare up (flames from the fat burning) and less risk of burning the cooking meat. This system is particularly useful when cooking fatty meats such as chicken, chops and spare ribs. If you do not want to drain the fat away from the cooking area, our grills are reversible allowing them to operate as a conventional grill.

GAS GRILL FEATURES & ACCESSORIES



CONTINUOUS SPARK IGNITOR

The continuous spark ignition systems used on our gas grills give a continuous spark to the first burner, ensuring an easy light. Gas dribble tubes igniting from the lit burner light the other burners. The small penlight battery used to power the ignitor is easily replaced (when necessary) from the front of the grill.



GAS GRILL ROCKS

All No 1, 2 and 3 Gas Grills (supplied without Roasting Domes) come standard with a thick layer of rocks above the burners. These rocks take about 10 minutes to heat to a point where they're ready to be used for cooking. They provide excellent heat retention. Gas Grill Rocks will need to be removed from time to time, to wash the fat and dust off them, and to replace.



FLAME TAMER PLATES

The 304 Stainless Steel Flame Tamer Plates are situated just above the burners, and are designed to build up the heat from the flames, and to distribute the heat evenly across the cooking surface. Plates heat up quickly, and cooking can commence shortly after the burners are lit. Temperature drops quickly when the burner is turned down, giving easy variability in cooking temperatures. For peak performance, Flame Tamer Plates come standard on all gas grills supplied with Roasting Domes, as well as on all Multifunction/Conversion gas grills. The purchaser is free to specify whether Flame Tamer Plates are required instead of Rocks on our other gas grills, at no extra cost.



WARMING DRAWER/OVEN

Our No 1 to 3 Gas Grills can be supplied as a traditional grill or with the added benefit of an oven under the grill. The oven uses the heat from the gas burners to keep plates or cooked food warm, or with the removal of the upper drip tray to maximise heat in the oven, higher temperature cooking can be done.



BRAAI PLATE

The Braai Plate is ideal for cooking breakfast, stir fries, fish or prawns on the grill. It is made using thick 3CR12, and is available in 2 sizes. The smaller Braai Plate comes with 4 egg rings, and the larger size with 8 egg rings.



STAINLESS STEEL CUPBOARD DOORS

Both the Counter Top grill and Drop In grill have an area under the grill which lends itself to the creation of a cupboard. This can be done with the addition of cupboard doors, in the style to match that of the Gas Grill. 304 Stainless Steel doors and a frame are manufactured to close off this space, making it super useful.



CIRCULAR FLUEING SYSTEM

There is a growing trend for exposed circular flues on braais, with the exposed flue and cowl making a design statement. We have developed our thick walled circular flueing system to meet this demand.

With sizes of 275, 300, 350 & 450 mm diameter, one of these flues will match just about any braai on the market. We have available flues, cowls, 45 degree bends and wall brackets, to enable these flues to be fixed to a wall where required.

Our louver cowl is designed to not only look good, but also to prevent birds entering the chimney and in windy environments to help ease the smoke out of the chimney for a better draw.

Available in mild steel or 3Cr12 painted black, or in 304 or 316 Stainless Steel.

See page 22 for more detail on these systems.



Domestic Cage

Commercial Cage

GAS CAGES

The use of gas is increasingly popular as people prefer to distance themselves from billing issues and disrupted electricity supply problems. South African National Standards require that any gas in excess of 100 kg be stored in a lockable steel cage. Even if the amount stored for domestic use is less than 100 kg, it makes sense to safely keep the bottles and gas regulator out of the way of children or staff.

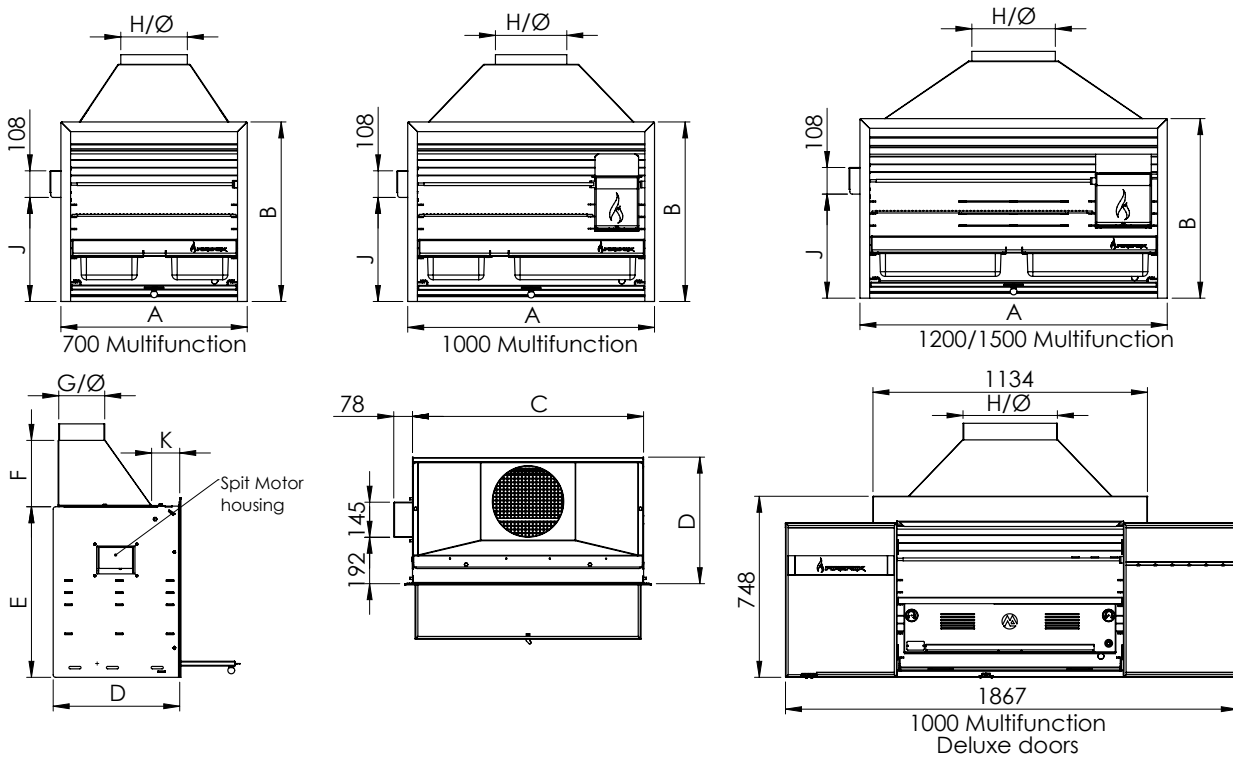
We supply various size cages which accommodate gas as small as a single 9 kg bottle, right up to multiple 48 kg bottles. These cages are created to stand on a flat surface (typically a concrete base), raised out of the way of storm water, and designed to be bolted to a rear brick wall.

The Domestic Cage is for domestic dwellings where there is no public access and there is less than 100 kg of gas.

The Commercial Cage is for installations with greater than 100 kg of gas.

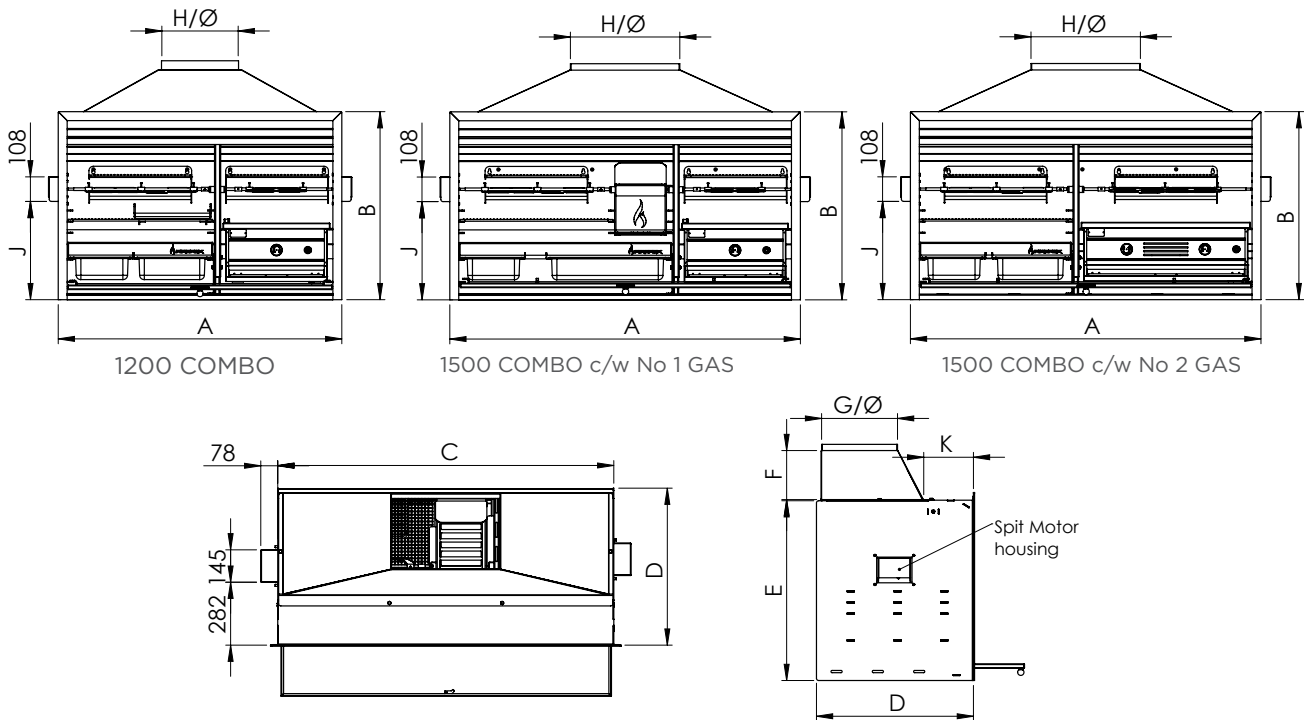
Cages are fully compliant with the requirements of SANS 10087-1

MULTIFUNCTION BRAAI c/w SLIDE IN DOOR



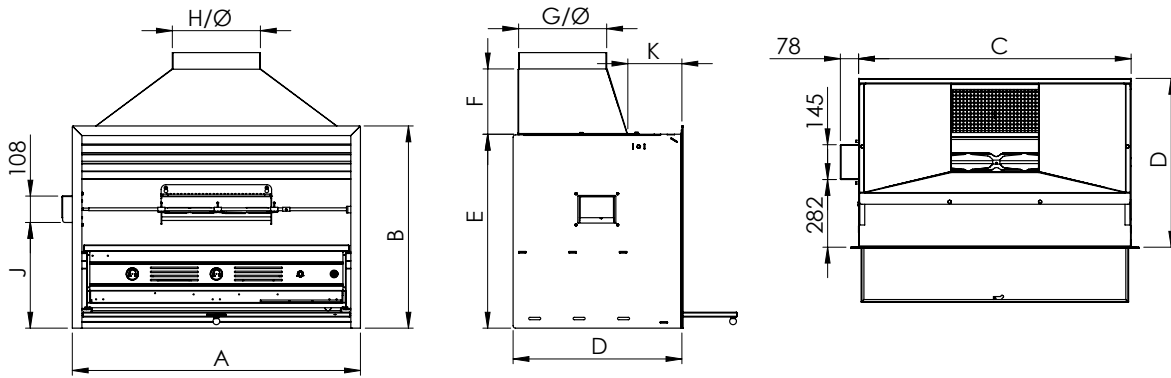
Product	A	B	C	D	E	F	G	H	Ø	J	K
700 Multifunction	770	742	705	523	708	273	200	300	275	430	117
1000 Multifunction	1020	742	955	523	708	273	200	400	300	430	117
1200 Multifunction	1270	742	1205	523	708	273	300	300	350	430	117
1500 Multifunction	1570	842	1505	703	808	220	350	500	450	430	225

COMBO BRAAIS



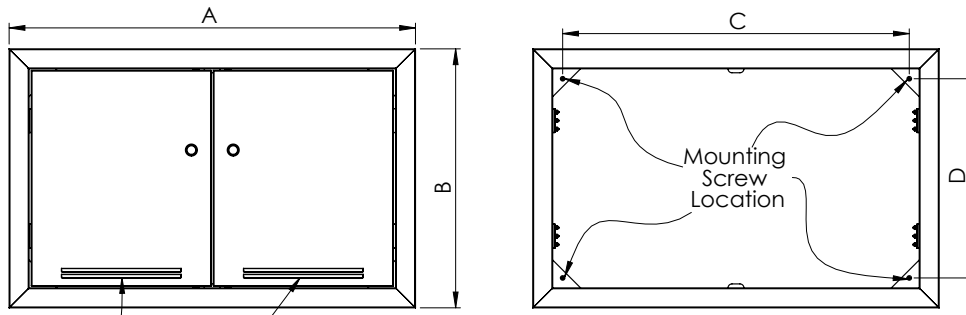
Product	A	B	C	D	E	F	G	H	Ø	J	K
1200 Combo	1270	842	1205	703	808	220	350	500	450	440	225
1500 Combo No1	1570	842	1505	703	808	220	350	500	450	440	225
1500 Combo No2	1570	842	1505	703	808	220	350	500	450	440	225

GAS BRAAIS



Product	A	B	C	D	E	F	G	H	Ø	J	K
800 Gas	855	842	790	703	808	273	200	400	300	440	225
1200 Gas	1200	842	1135	703	808	273	350	500	450	440	225

UNDER BRAAI CUPBOARD DOORS

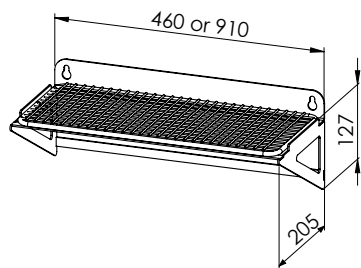


Product	A	B	C	D	Matches width of
770 Cupboard Door	770	650	620	500	700 Multi-function
855 Cupboard Door	855	650	705	500	800 Gas
1020 Cupboard Door	1020	650	870	500	1000 Multi-function
1200 Cupboard Door	1200	650	1050	500	1200 Gas
1270 Cupboard Door	1270	650	1120	500	1200 Multi Function/Combo
1570 Cupboard Door	1570	650	1420	500	1500 Multi-function/Combo

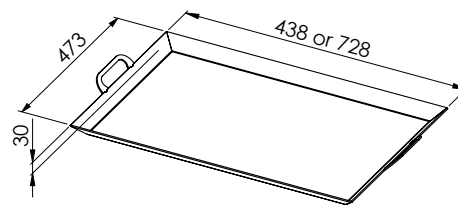
Required ventilation in terms of SANS 10087-1 to enable a 9kg gas bottle to be located in cupboard.

BUILT IN BRAAI OPTIONS

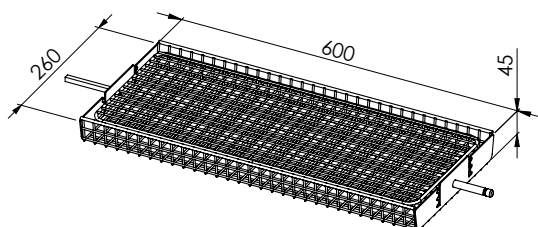
WARMING GRID



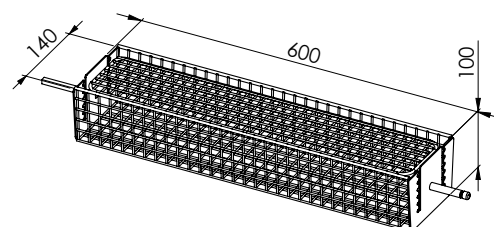
BRAAI PLATE/WOK



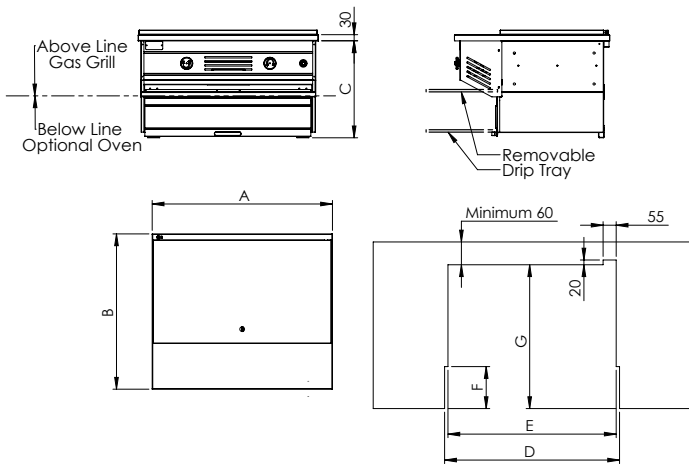
SPIT BASKET



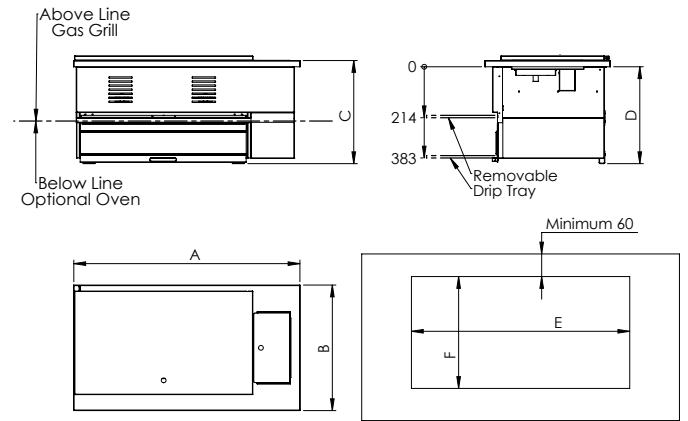
SPIT BASKET DEEP



COUNTER TOP GAS GRILLS

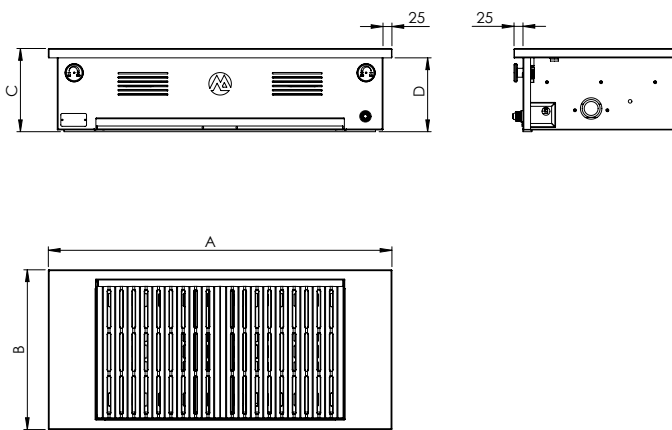


DROP IN GAS GRILLS



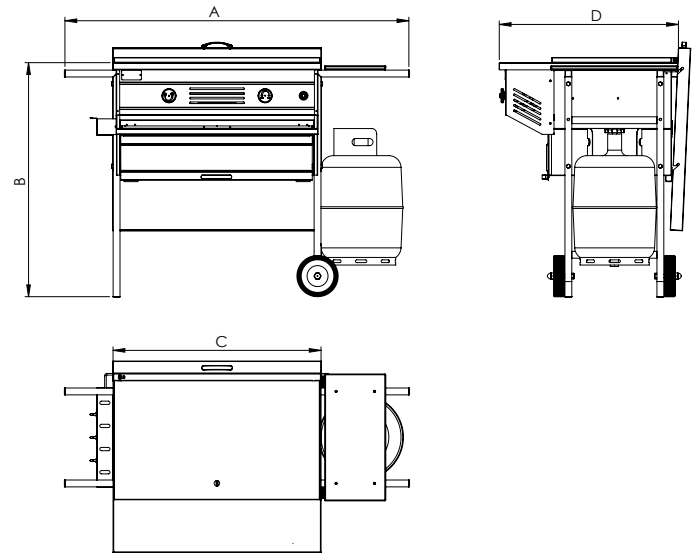
		Counter Top Gas Grills							Drop In Gas Grills					
		Cut out sizes							Cut out sizes					
Product	Grilling Area	A	B	C	D	E	F	G	A	B	C	D	E	F
No1 With Oven	420X420	500	650	407	485	437	204	627	672	525	407	400	649	480
No2 With Oven	700X420	760	650	407	745	717	204	627	950	525	407	400	927	480
No3 With Oven	1047X420	1100	650	407	1085	1062	204	627	1300	525	407	400	1277	480
No1 No Oven	420X420	500	650	237	485	437	204	627	672	525	237	225	649	480
No2 No Oven	700X420	760	650	237	745	717	204	627	950	525	237	225	927	480
No3 No Oven	1047X420	1100	650	237	1085	1062	204	627	1300	525	237	225	1277	480

MULTIFUNCTION & 1000 CONVERSION GAS GRILLS



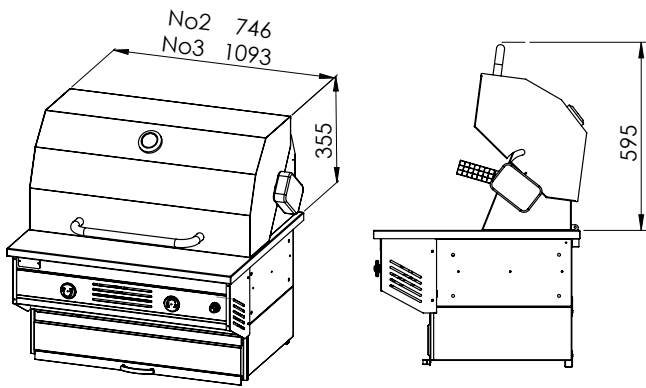
Product	A	B	C	D
MULTI BRAAI 1000 CONVERSION	962	447	233	207
MULTI BRAAI MULTI FUNCTION	928	447	233	207
Grilling Area				
695X390				

TROLLEY GAS BRAAIS

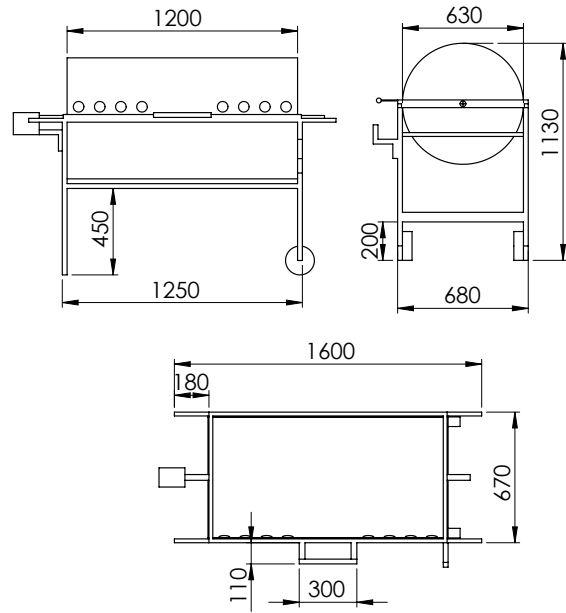


Product	A	B	C	D
No1 Trolley Braai	980	850	500	650
No2 Trolley Braai	1250	850	760	650
No3 Trolley Braai	1740	850	1100	650
Grilling Area				
No1	420X420			
No2	700X420			
No3	1047X420			

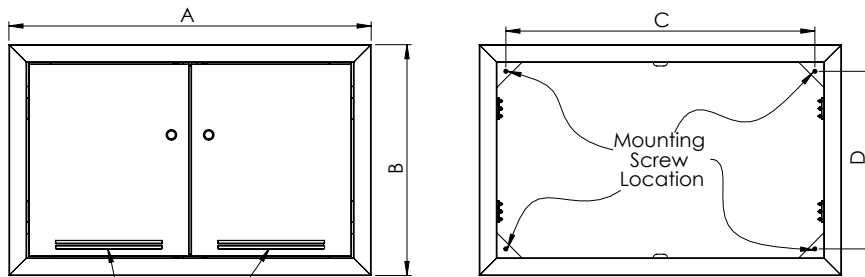
ROASTING DOME FITS NO 2&3 GAS GRILL



DRUM GAS BRAAI



CUPBOARD DOOR UNDER COUNTER TOP / DROP IN GAS GRILLS

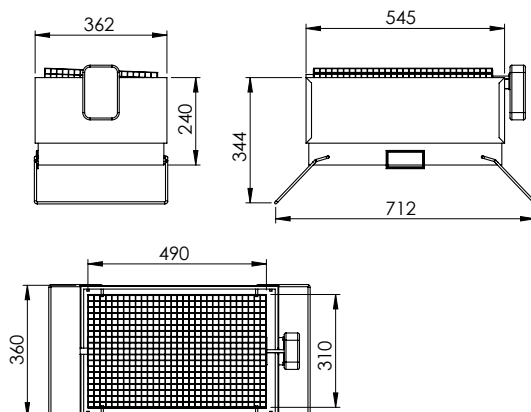


Required ventilation in terms of SANS 10087-1 to enable a 9kg gas bottle to be located in cupboard.

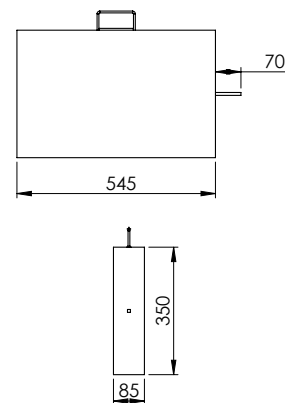
Counter Top Models	A	B	C	D
No 2 No Oven	735	640	585	490
No 2 With Oven	735	500	585	350
No 3 No Oven	1077	640	927	490
No 3 With Oven	1077	500	927	350
Drop in Models	A	B	C	D
No 2 No Oven	950	850	800	700
No 3 No Oven	1300	850	1150	700

PORTABLE SPIT GRILLER

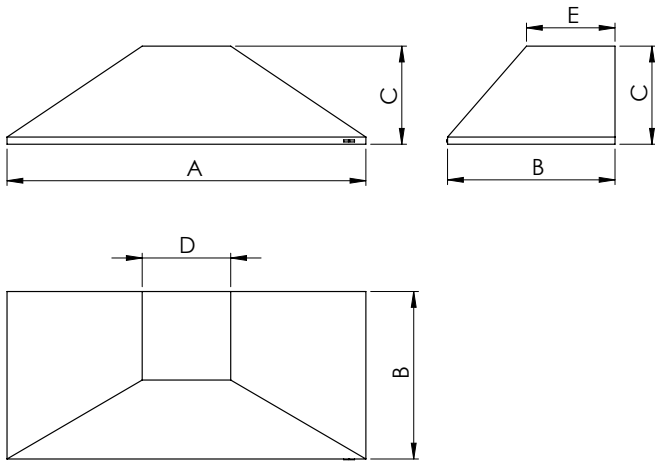
DIMENSIONS WHEN OPERATING



DIMENSIONS WHEN PACKED

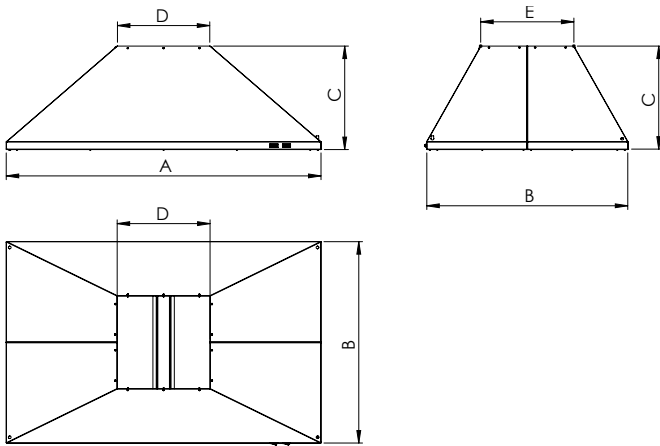


WALL MOUNTED CANOPIES



Product	A	B	C	D	E
1000 Canopy	1000	700	410	370	370
1250 Canopy	1250	700	410	370	370
1500 Canopy	1500	700	410	370	370

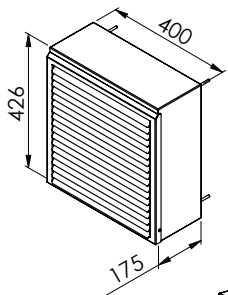
ISLAND STYLE CANOPIES



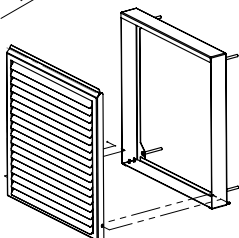
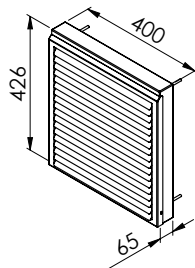
Product	A	B	C	D	E
1000 ISLAND STYLE CANOPY	1000	800	410	370	370
1250 ISLAND STYLE CANOPY	1250	800	410	370	370

LOUVER BOX

Large Louver for single brick wall application

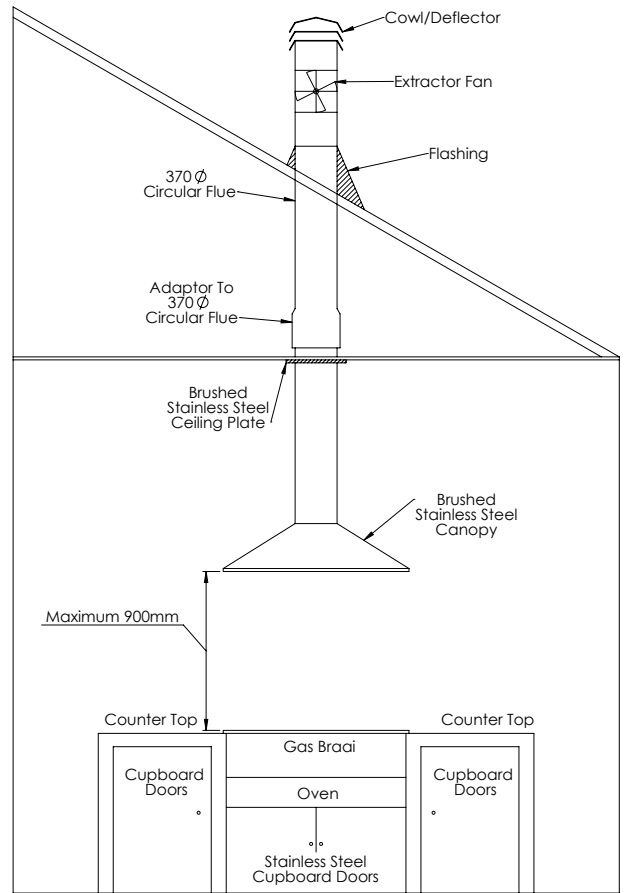


Small Louver for double brick wall application

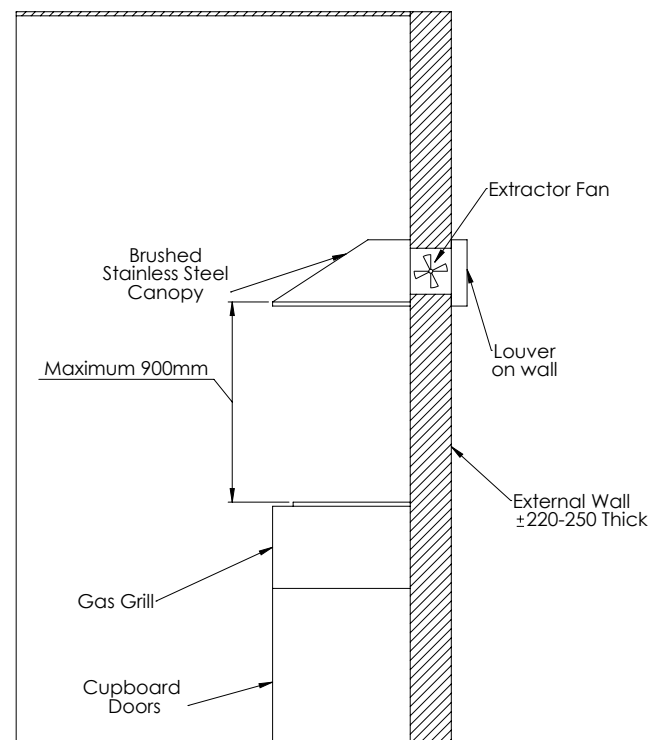


Removable front to give access to fan maintenance and cleaning the fins

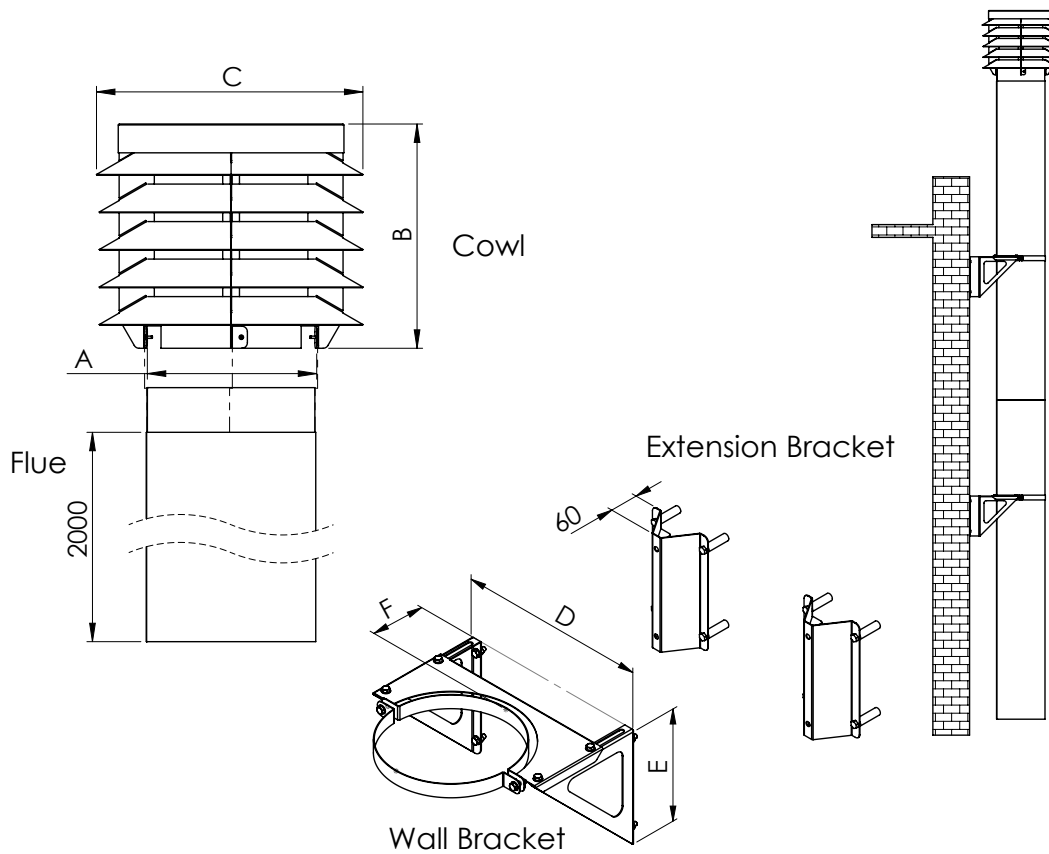
TYPICAL TOP EXIT CANOPY INSTALLATION



TYPICAL TOP EXIT CANOPY INSTALLATION

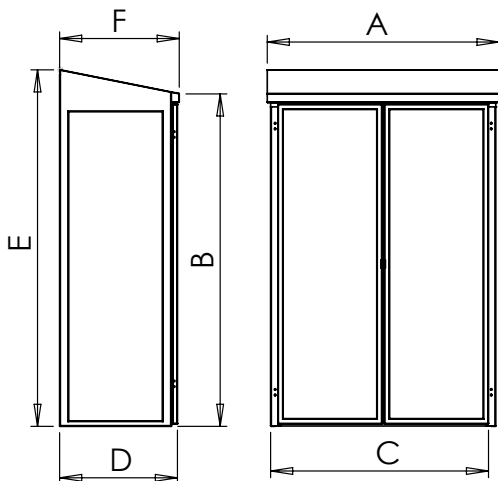


CIRCULAR FLUES & COWLS



Flue		Cowl			Wall Bracket		
Diameter	Length	A	B	C	D	E	F
275	2000	280	400	457	412	250	28-108
300	2000	305	400	482	412	250	28-108
350	2000	355	400	532	564	250	28-108
450	2000	455	400	632	564	250	28-108

GAS CAGES



Product	A	B	C	D	E	F
9kg Gas Cylinder Cage Single	500	692	450	460	797	460
9kg Gas Cylinder Cage Double	1040	692	1010	460	797	460
19kg Gas Cylinder Cage Single	500	1090	450	477	1200	487
19kg Gas Cylinder Cage Double	1040	1090	1010	477	1200	487
48kg Gas Cylinder Cage Single	560	1495	525	530	1600	530
48kg Gas Cylinder Cage Double	1040	1495	1010	530	1600	530

WARRANTY

Firefox warrants the soundness of their steel braai boxes and frames from defects in materials or workmanship for a period of 10 years from date of purchase. Firefox warrants the gas components in their gas grills for a period of 3 years from date of purchase. To validate the Warranty the customer must produce proof of purchase so that the date can be verified. The Warranty does not cover rusting. The majority of our products are made of mild steel that will rust under corrosive conditions.

The Warranty will not apply if:

- The customer cannot provide proof of purchase
- The Gas Grill has not been installed by a Registered Gas Fitter, where it is deemed a Fixed Appliance in terms of SANS 10087-1
- The unit was not installed in accordance with the manufacturer's instruction book
- The damage was caused by the unit operating outside of its normal working state
- Gas units were not serviced in accordance with the recommended servicing

If a claim arises under this Warranty, Firefox will at its sole discretion either repair or replace the affected unit. As Firefox does not do the installation of these units, it accepts no responsibility for the installation thereof. Firefox will not be liable for any consequential damage arising out of the use of its units.

BUILT IN BRAAI STANDARD EQUIPMENT & OPTIONAL EXTRAS

STANDARD FEATURES ON BUILT IN BRAAIS								OPTIONAL EXTRAS - PRICES ON PRICELIST							
BRAAI SIZE	GATHER OPTION	SLIDE IN DOOR	SIDE DOORS	EMBER MAKER	EMBER TRAY	ST.ST GRID	ST.ST DRAWER	220v Spit Motor	Chicken Spit & Skewers	Spit Basket	Spit Basket Deep	Braai Plate Small	Braai Plate Large	Warming Grid Large	Warming Grid Small
Multifunction Charcoal Braais								438x473 728x473							
700	200 x 300 or 275 ̳	✓	—	—	✓	✓	2 x S	✓	✓	✓	✓	✓	N/A	N/A	N/A
1000	200 x 400 or 300 ̳	✓ or	✓	✓	✓	✓	1 x S 1 x L	✓	✓	✓	✓	✓	N/A	N/A	✓
1200	300 x 300 or 350 ̳	✓	—	✓	✓	✓	2 x L	✓	✓	✓	✓	✓	✓	N/A	✓
1500	350x500 or 450 ̳	✓	—	—	✓	✓	2 x L	✓	✓	✓	✓	✓	✓	✓	✓
Multi Function Gas Braais								370x345							
1000	200 x 400 or 300 ̳	✓ or	✓	N/A	N/A	N/A	N/A	✓	✓	✓	✓	✓	N/A	N/A	✓
Combo Braais - (Applicable to Charcoal Side)								438x473							
1200	350x500 or 450 ̳	✓	—	—	✓	✓	1 x S 1 x L	✓	✓	✓	✓	✓	N/A	N/A	✓
1500-1	350x500 or 450 ̳	✓	—	—	✓	✓	1 x S 1 x L	✓	✓	✓	✓	✓	N/A	✓	✓
1500-2	350x500 or 450 ̳	✓	—	—	✓	✓	1 x S 1 x L	✓	✓	✓	✓	✓	N/A	N/A	✓
Combo Braais - (Applicable to Gas Side)								345x415 670x415							
1200	350x500 or 450 ̳	✓	—	N/A	N/A	N/A	N/A	✓	✓	N/A	N/A	✓	N/A	N/A	✓
1500-1	350x500 or 450 ̳	✓	—	N/A	N/A	N/A	N/A	✓	✓	N/A	N/A	✓	N/A	N/A	✓
1500-2	350x500 or 450 ̳	✓	—	N/A	N/A	N/A	N/A	✓	✓	✓	✓	✓	✓	N/A	✓
Gas Braais								345x415 670x415							
800	200 x 400 or 300 ̳	✓	N/A	N/A	N/A	N/A	N/A	✓	✓	✓	✓	✓	✓	N/A	✓
1200	350x500 or 450 ̳	✓	N/A	N/A	N/A	N/A	N/A	✓	✓	✓	✓	✓	✓	✓	✓

Firefox continues to develop and improve its products. It reserves the right to change specifications without prior notification.

Firefox (Pty) Ltd
 104 Van Tonder Street, Sunderland Ridge, Centurion
 P.O. Box 86, Wierda Park, 0149

T (012) 666 9379
F (012) 666 9100
E sales@firefox.co.za
www.firefox.co.za

